



# JABO SUPPLY

*"Apollo"* Valves



## "PRV"

## Pressure Reducing Valves

## INDEX APOLLO

DESCRIPTION	PAGE #
<b>PICTURE INDEX</b>	<b>3</b>
<b>SPECIFICATION SHEET MODEL 36CLF</b>	<b>4-5</b>
<b>SPECIFICATION SHEET MODEL 36LF</b>	<b>6-7</b>
<b>MODEL 36CLF</b>	<b>8</b>
<b>MODEL 36LF</b>	<b>8</b>

## PICTURE INDEX APOLLO

	36CLF	36LF
		
	Page 8	Page 8
<b>CALL JABO SUPPLY (304) 736-8333</b>		



**5 LOCATIONS**

**PARKERSBURG, WV**  
10085 Emerson Avenue 26102  
(304) 464-4400

**NORTON, VA**  
205 Hawthorne Drive, 24273  
(276) 679-1224

**HUNTINGTON, WV**  
209 Braley Street, 25705  
(304) 736-8333

**MORGANFIELD, KY**  
118 Jim Veatch Road, 42437  
(270) 389-3430

**BEAVER, WV (BECKLEY)**  
227 C&O Shop Road 25813  
(304) 252-0000

**SINCE 1964 SERVICE IS MORE THAN A PROMISE**



001  
SUBMITTAL SHEET

JABO SUPPLY "PRV" Pressure Reducing Valves

# 36CLF Series

Water Pressure Reducing Valve

## LEAD FREE

WWW.JABOSUPPLY.COM



Job Name:	
Job Location:	
Engineer:	
Contractor:	
Tag:	
PO#:	
Rep:	
Wholesale Dist.:	

### DESCRIPTION

The Apollo Lead Free\* Pressure Reducing Valve Model PRC (36CLF Series) is designed to protect residential and commercial water distribution systems by automatically controlling excessive pressure changes. The valves integral thermoplastic cage provides maximum corrosion resistance. Designed for easy in-line servicing with bottom cleanout access to seat disc and strainer. The valve is built for long reliable service with proven ASTM grade Lead Free\* materials.

### FEATURES

- Built-In Thermal Expansion Bypass
- Balanced Piston Design
- Sealed Spring Cage For Vault Installations
- SS Adjusting Screw & Nut
- Bottom Access to Seat Disc & SS Strainer
- Factory Preset at 50 psi
- NPT, Solder, PEX, CPVC, Press Connections
- 100% Manufactured in USA

### PERFORMANCE RATING

- Maximum Supply Pressure: 400 psig
- Std. Temperature Range: 33°F – 180°F
- Maximum Set Pressure:  
Standard: 75 psi  
High Pressure: 125 psig

### OPTIONS

- (-P) - Tapped w/plug
- (-G) - Tapped w/gauge
- (-02) - 10-35 psig
- (-03) - 75-125 psig
- (36C) - with Standard Material

### STANDARD MATERIALS LIST

<b>BODY</b>	Lead Free* Bronze, UNS 89836
<b>UNION NUT</b>	BRASS, ASTM B16
<b>TAILPIECE</b>	Lead Free* Brass, UNS C27451
<b>SCREEN</b>	Stainless Steel
<b>CAP</b>	Noryl
<b>DIAPHRAGM</b>	NSF Grade EPDM
<b>SEAT DISC</b>	NSF Grade EPDM
<b>ADJUSTING SCREW/NUT</b>	Stainless Steel
<b>SPRING</b>	Stainless Steel, ASTM A228
<b>O-RINGS</b>	NSF Grade EPDM

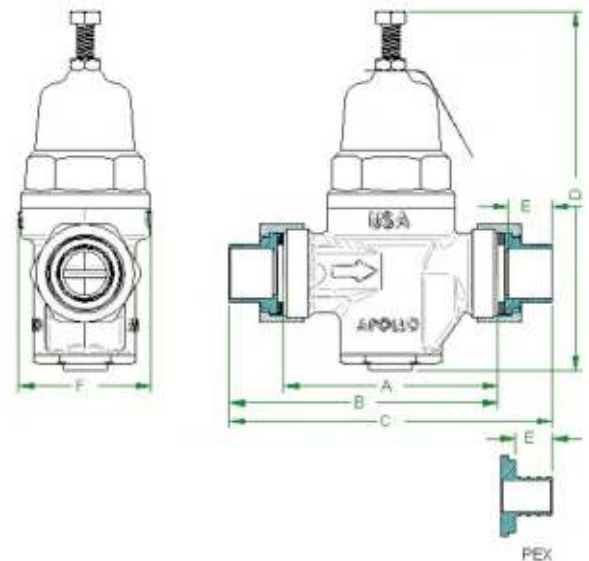
### APPROVALS

- City of Los Angeles Approved
- NSF/ANSI 372 - Lead Free
- ASSE 1003
- CSA B356

### DIMENSIONS

SIZE (IN.)	CONNECT TYPE	DIMENSIONS (IN.)						WT. (UNION) LB. EACH
		A	B	C	D	E	F	
1/2"	THREAD	3.625	4.50	5.375	6.00	0.625	2.75	3.5
	SOLDER	3.625	4.50	5.50	6.00	0.50	2.75	3.4
	PEX	3.625	4.50	5.50	6.00	0.625	2.75	3.3
	CPVC	3.625	4.25	5.00	6.00	0.50	2.75	3.1
	PRESS	3.625	-	5.875	6.00	-	2.75	2.99
3/4"	THREAD	3.625	4.50	5.50	6.00	0.625	2.75	3.4
	SOLDER	3.625	4.50	5.50	6.00	0.75	2.75	3.3
	PEX	3.625	4.625	5.625	6.00	0.625	2.75	3.2
	CPVC	3.625	4.50	5.50	6.00	0.625	2.75	3
	PRESS	3.625	-	5.75	6.00	-	2.75	3.04
1"	THREAD	3.75	4.625	5.75	6.00	0.625	3.375	4.5
	SOLDER	3.75	4.625	5.75	6.00	0.875	3.375	4.4
	PEX	3.75	4.75	6.00	6.00	0.75	3.375	4.3
	CPVC	3.75	4.75	6.00	6.00	0.9375	3.375	4
	PRESS	3.625	-	5.875	6	-	3.375	3.46

Nominal dimensions are shown. Allowances must be made for manufacturers' tolerances.



\*LEAD FREE: The wetted surfaces of this product shall contain no more than 0.25% lead by weighted average. Complies with Federal Public Law 111-380. ANSI 3rd party approved and listed.



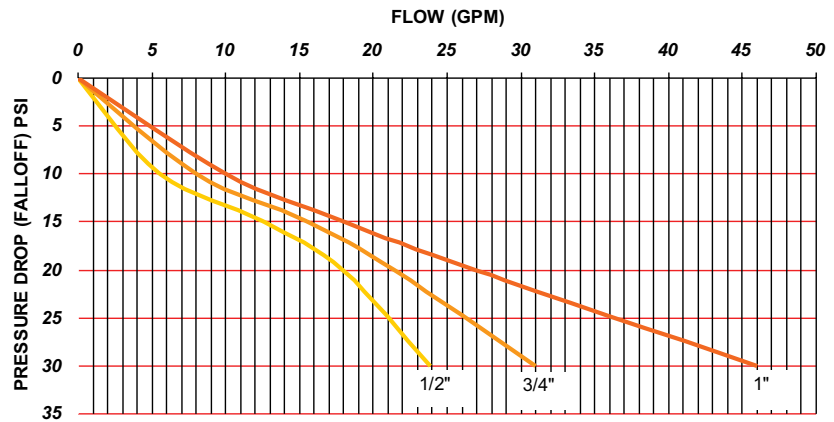
**PART NUMBER MATRIX**

36CLF 36C	X	XX	X	X	X
SERIES	CONNECTION	SIZE	GAUGE	PRESSURE RANGE	OPTION
36CLF (LEAD FREE)	1 - SINGLE UNION NPT	03 - 1/2"	0 - WITHOUT GAUGE	1 - 25 - 75 PSIG RANGE	C - CPVC TAILPIECE
36C	2 - NO UNION NPT	04 - 3/4"	P - W/ GAUGE PORT PLUGGED	2 - 10 - 35 PSIG RANGE	P - PUSH*
	3 - SINGLE UNION SOLDER X NPT	05 - 1"	G - W/ GAUGE	3 - 75 - 125 PSIG RANGE	PR - PRESS**
	4 - DOUBLE UNION NPT				
	5 - DOUBLE UNION SOLDER				
	9 - DOUBLE UNION PEX B/C F1807				

\* Available in Direct Connection  
 \*\* Available in Direct Connection, and Double Union

**WATER CAPACITY (GPM)**

FALL-OFF (PSI)	PRESSURE DIFFERENTIAL (PSI)		
	25	50	75
5	1.3	1.5	1.7
10	4.7	5.5	6.3
15	10.6	12.5	14.4
20	15.3	18	20.7
5	2.1	2.5	2.9
10	6.8	8	9.2
15	13.2	15.5	17.8
20	18.3	21.5	24.7
5	2.8	3.3	3.7
10	8.5	10	11.5
15	15.3	18	20.7
20	21.3	25	28.8



# 36LF Series

Pressure Reducing Valve

## LEAD FREE



Job Name:	
Job Location:	
Engineer:	
Contractor:	
Tag:	
PO#:	
Rep:	
Wholesale Dist.:	

### DESCRIPTION

Apollo 36LF Series Pressure Reducing Valves are designed to protect residential and commercial water distribution systems by controlling excessive pressures. The valves are built for long reliable service with proven ASTM grade materials including a lead free\* bronze body and stainless steel strainer.

### FEATURES

- Lead Free\* AB 1953 Certified
- Corrosion Resistant Bronze Body and Bonnet
- 100% Factory Tested, Preset to 50 psi (-01)
- Control Pressure Ranges:  
10-35 psi, 25-75 psi (Standard), 75-125 psi
- Integral SS Strainer
- Balanced Piston Design
- Internal Thermal Expansion Bypass
- Multiple Connection Options
- Optional Pressure Gauge or Tapping
- **100% Manufactured in USA**

### APPROVALS

- NSF/ANSI 372 Lead Free
- ASSE 1003
- CSA B356

### OPTIONS

- (P) - Tapped w/ Plug
- (G) - Tapped w/ Gauge
- (02) - 10-35 psig
- (03) - 75-125 psig
- (36) - with Standard Material for Non-Potable Applications

### STANDARD MATERIALS LIST

<b>BODY</b>	C89836 Lead Free* Bronze
<b>COVER</b>	Bronze, ASTM B584
<b>DIAPHRAGM</b>	FDA Grade Buna W/ Polyester
<b>SEAT DISC</b>	FDA Grade EPDM
<b>STEM</b>	C27450 Lead Free* Brass
<b>SPRING</b>	Stainless Steel
<b>O-RINGS</b>	NSF Grade EPDM

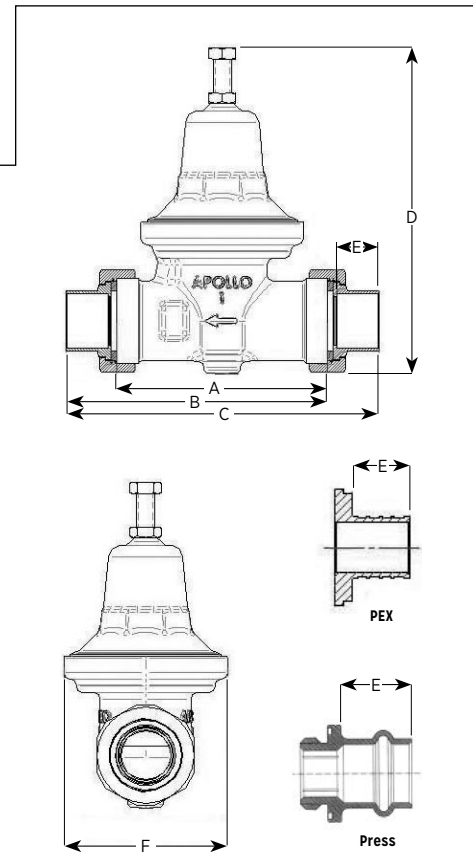
### PERFORMANCE RATING

- Maximum Supply Pressure up to 300 psig
- Temperature Range 33 °F - 180 °F

### DIMENSIONS

SIZE (IN.)	CONNECT TYPE	DIMENSIONS (IN.)						WT. (UNION) LB. EACH
		A	B	C	D	E	F	
1/2"	THREAD	4	4-7/8	5-5/8	5-7/8	5/8	2-3/4	3.5
	SOLDER	4	4-7/8	5-5/8	5-7/8	1/2	2-3/4	3.4
	PEX	4	5	5-3/4	5-7/8	5/8	2-3/4	3.3
	CPVC	4	4-5/8	5-1/4	5-7/8	1/2	2-3/4	3.1
3/4"	THREAD	3-7/8	4-7/8	5-5/8	5-7/8	5/8	2-3/4	3.4
	SOLDER	3-7/8	4-7/8	5-5/8	5-7/8	3/4	2-3/4	3.3
	PEX	3-7/8	5	5-3/4	5-7/8	5/8	2-3/4	3.2
	CPVC	3-7/8	4-7/8	5-5/8	5-7/8	5/8	2-3/4	3
1"	THREAD	4-3/8	5-1/2	6-3/8	6-7/8	5/8	3-3/8	4.5
	SOLDER	4-3/8	5-1/2	6-3/8	6-7/8	5/8	3-3/8	4.4
	PEX	4-3/8	5-1/2	6-5/8	6-7/8	7/8	3-3/8	4.3
	CPVC	4-3/8	5-3/4	7	6-7/8	3/4	3-3/8	4
1-1/4"	THREAD	5-3/8	6-1/2	7-1/2	8-7/8	7/8	4	10.2
	SOLDER	5-3/8	6-5/8	7-3/4	8-7/8	1	4	10.1
1-1/2"	THREAD	5-3/8	6-5/8	7-7/8	8-7/8	3/4	4	10.4
	SOLDER	5-3/8	6-3/4	8	8-7/8	1-1/8	4	10.3
2"	THREAD	7-1/8	8-1/2	9-7/8	11-1/2	1	5-3/4	22.5
	SOLDER	7-1/8	8-7/8	10-1/2	11-1/2	1-3/8	5-3/4	22.4

Nominal dimensions are shown. Allowances must be made for manufacturers' tolerances.



\*LEAD FREE: The wetted surfaces of this product shall contain no more than 0.25% lead by weighted average. Complies with Federal Public Law 111-380. ANSI 3rd party approved and listed.



SUBMITTAL SHEET

JABO SUPPLY "PRV" Pressure Reducing Valves

WWW.JABOSUPPLY.COM

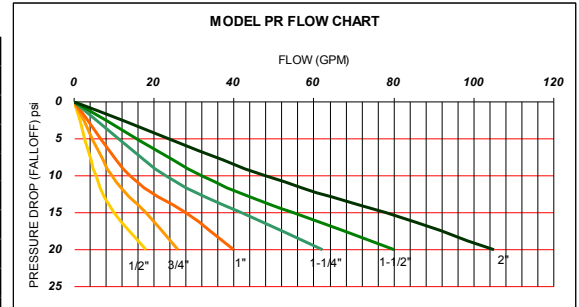
# 36LF Series

Pressure Reducing Valve

## LEAD FREE

### FLOW CAPACITY

PIPE SIZE	FALL-OFF* (PSI)	PRESSURE DIFFERENTIAL (PSI)			PIPE SIZE	FALL-OFF* (PSI)	PRESSURE DIFFERENTIAL (PSI)		
		25	50	75			25	50	75
1/2"	5	1.7	2	2.3	1-1/4"	5	8.5	10	11.5
	10	4.3	5	5.8		10	19.6	23	26.5
	15	8.5	10	11.5		15	35.7	42	48.3
	20	15.3	18	20.7		20	53	62	71
3/4"	5	3.4	4	4.6	1-1/2"	5	12	14	16
	10	7.7	9	10.4		10	27	32	37
	15	14.5	17	19.6		15	48	56	64
	20	14.5	17	19.6		20	68	80	92
1"	5	5.1	6	6.9	2"	5	15	18	21
	10	11.9	14	16.1		10	39	46	53
	15	22.1	26	29.9		15	66	78	90
	20	34	40	46		20	94	110	127



Note: Flow curves are based on static conditions of 100psi inlet pressure and 50 psi outlet pressure.  
 Pressure differential is the difference between the supply pressure and adjusted outlet pressure measured in the static (closed) condition.  
 Pressure fall-off is the decrease in downstream regulated pressure as the flow increases.

### PART NUMBER MATRIX

36LF 36	X	X	X	X	X	X
SERIES	CONNECTION	OPTION	SIZE	GAUGE	PRESSURE RANGE	OPTION
36LF (LEAD FREE)	1 - SINGLE UNION NPT	0 - NO OPTION	3 - 1/2"	0 - NO GAUGE	1 - 25-75 PSIG	PR - PRESS
36	2 - NO UNION NPT	C - CPVC TAILPIECE	4 - 3/4"	P - W/ GAUGE PORT	2 - 10-35 PSIG	(APPLIES TO MODELS 36-20X
	3 - SINGLE UNION SOLDER X NPT	S - SEALED CAGE*	5 - 1"	G - W/ GAUGE	3 - 75-125 PSIG	AND 36LF20X ONLY)
	4 - DOUBLE UNION NPT	X - PEX F1807 TAILPIECE	6 - 1-1/4"			
	5 - DOUBLE UNION SOLDER		7 - 1-1/2"			
	6 - SINGLE UNION METER X NPT		8 - 2"			
	8 - DOUBLE UNION CPVC					
	9 - DOUBLE UNION PEX F1807					

\*S option = Sealed cage with stainless steel adjusting screw for vault installation.

\*LEAD FREE: The wetted surfaces of this product shall contain no more than 0.25% lead by weighted average. Complies with Federal Public Law 111-380. ANSI 3rd party approved and listed.

## APOLLO

### 36CLF



JABO #	SIZE	PSI
760-80070	1/2"	25-75
760-80080	3/4"	25-75
760-80090	1"	25-75

MAXIMUM SUPPLY PRESSURE 400PS

SEE SPEC SHEETS FOR OTHER OPITIONS

SEE SPEC SHEETS FOR OTHER OPITIONS

### 36LF



JABO #	SIZE	PSI
*	1/2"	25-75
*	3/4"	25-75
*	1"	25-75
760-80100	1-1/4"	25-75
760-80110	1-1/2"	25-75
760-80120	2"	25-75

MAXIMUM SUPPLY PRESSURE 300PS

SEE SPEC SHEET FOR OTHER OPTIONS



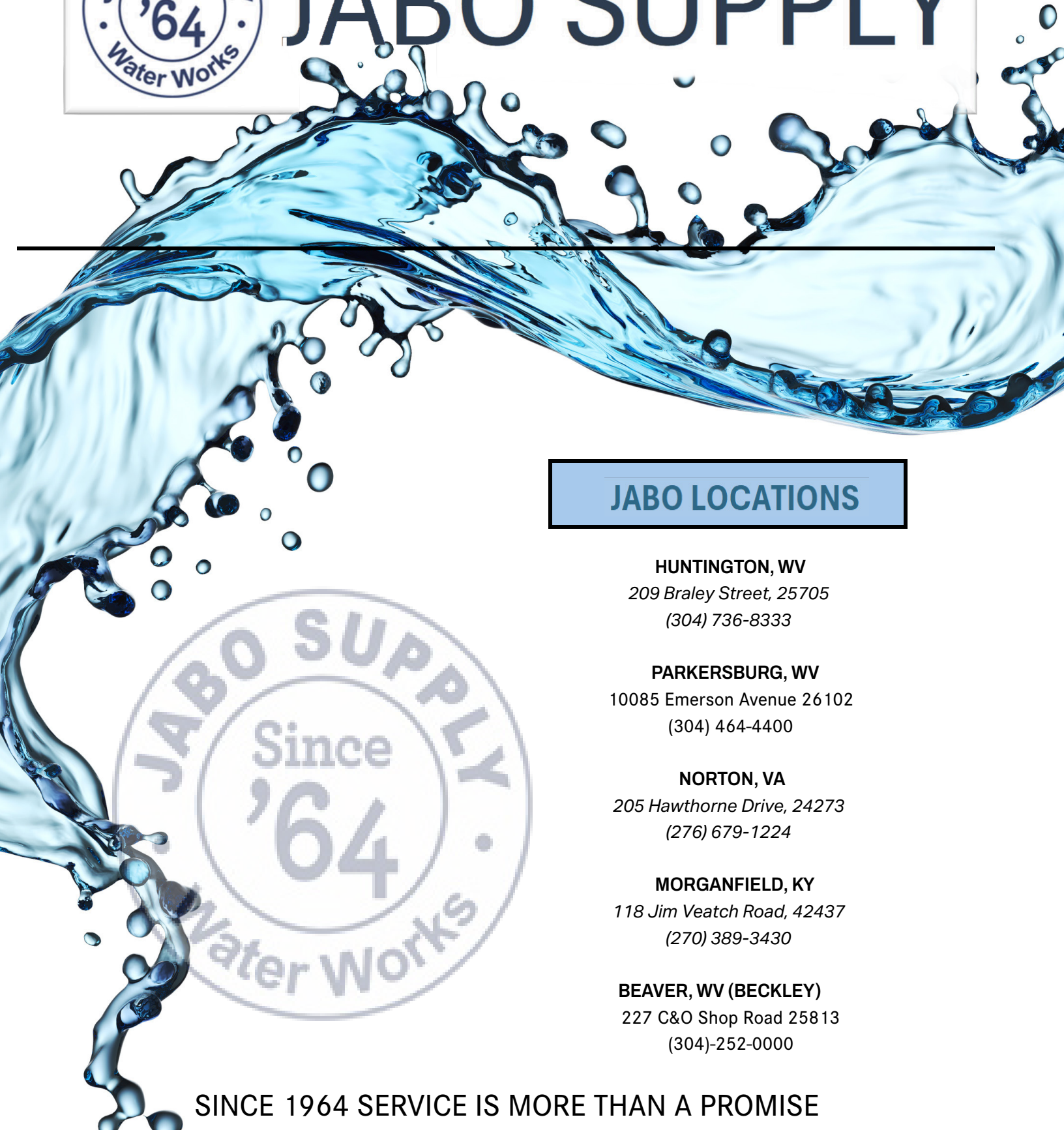


# JABO SUPPLY

CALL JABO SUPPLY FOR ALL YOUR WATER WORKS NEEDS



# JABO SUPPLY



## JABO LOCATIONS

### **HUNTINGTON, WV**

209 Braley Street, 25705  
(304) 736-8333

### **PARKERSBURG, WV**

10085 Emerson Avenue 26102  
(304) 464-4400

### **NORTON, VA**

205 Hawthorne Drive, 24273  
(276) 679-1224

### **MORGANFIELD, KY**

118 Jim Veatch Road, 42437  
(270) 389-3430

### **BEAVER, WV (BECKLEY)**

227 C&O Shop Road 25813  
(304)-252-0000

SINCE 1964 SERVICE IS MORE THAN A PROMISE