



GALVANIZED CORRUGATED PIPE

SPECIFICATIONS

HEL-COR Pipe Coatings

Galvanized Steel - Corrugated galvanized pipe made from steel coated with zinc to extend service life. The most widely used and most economical metallic coating for corrugated steel pipe.

Aluminized Type 2 - Pipe made from steel that has been hot-dipped in commercially pure aluminum; offers 75 years or more of maintenance free service life.

Polymer Coated - Pipe made from steel with a heavy-gage polymer coating; protects against abrasion and corrosion to provide at least 100 years of service life with a guaranteed 80-years "add-on" according to the 2012 Polymer Coated CSP Study performed by the NCSA.

Asphalt Coated - Steel pipe coated with asphalt for prolonged service life; and can also be used to improve hydraulics.

HEL-COR Pipe Properties

Diameter range 12" – 144"

Wall thicknesses of 18, 16, 14, 12, 10 and 8 gage

Available with helical or annular corrugations

1-1/2" x 1/4" and 2-2/3" x 1/2" corrugations for economical and efficient metal use in small diameters (48" & down)

3" x 1" and 5" x 1" offer high sectional properties in large diameter pipe (60" and above)

Standards lengths are 20' - 40'

HEL-COR Pipe Shapes

Full Round - recommended for most applications

Pipe –Arch - low, wide pipe-arch design distributes the area horizontally to provide adequate capacity with

HEL-COR Pipe Accessories

End Sections

Joint & Banding Systems

Fittings

HEL-COR Pipe Applications

Drainage culverts, canals, and ditch enclosures

Storm sewers and drainage pipe

Stormwater detention and infiltration

Rehabilitating sanitary sewers, storm sewers, and small culverts

Wind turbine foundations and vertical shafts



GALVANIZED CORRUGATED PIPE

FULL ROUND



ARCH PIPE



AVAILABLE FROM 15"-120"

16GUAGE PIPE		
20' Sticks		CORRUIGATION
JABO PART#	SIZE	PATTERN
114-00060	6"	1-1/2" X 1/4"
114-00080	8"	1-1/2" X 1/4"
114-00100	10"	1-1/2" X 1/4"
114-02120	12"	2-2/3"X1/2"
114-02150	15"	2-2/3"X1/2"
114-02180	18"	2-2/3"X1/2"
114-02240	24"	2-2/3"X1/2"
114-02300	30"	2-2/3"X1/2"
114-02360	36"	2-2/3"X1/2"
114-02480	48"	2-2/3"X1/2"
114-02600	60"	5"X1"
AVAILABLE UP TO 144"		
12 GUAGE PIPE		
20' Sticks		CORRUIGATION
JABO PART#	SIZE	PATTERN
114-02610	36"	2-2/3"X1/2"
114-02620	60"	2-2/3"X1/2"
AVAILABLE FROM 12"-144"		

16GUAGE PIPE		
10' Sticks		CORRUIGATION
JABO PART#	SIZE	PATTERN
114-02912	12"	2-2/3"X1/2"
114-02915	15"	2-2/3"X1/2"
114-02918	18"	2-2/3"X1/2"
114-02924	24"	2-2/3"X1/2"
114-02936	36"	2-2/3"X1/2"
AVAILABLE UP TO 144"		
12 GUAGE PIPE		
10' Sticks		CORRUIGATION
JABO PART#	SIZE	PATTERN
114-02611	36"	2-2/3"X1/2"
AVAILABLE FROM 12"-144"		

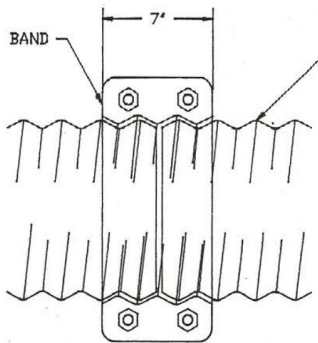
NON STOCK	
Questions needed for NON Stock Orders	
1. TYPE of PIPE-	
*Round	
*Arch	
2. TYPE of COATING	
*Galvanized Steel	
*Aluminized Type 2	
*Polyer Coating	
*Asphalt Coated	
3. SIZE -OD	
*12"-144" Full Round	
*15" -120" Arch Pipe	
4. WALL THICKNESS /GUAGE	
*18, 16,14,12,10,8	
5. CORRUGATION PATTERN	
*1-1/2"X1/4"	48"& DOWN
*2-2/3" X 1/2"	
*3" X 1"	60" & ABOVE
*5"X 1"	

GALVANIZED BANDS

CONTECH's H-12 HUGGER Bands are versatile, multipurpose couplers for corrugated metal pipe. The H-12 HUGGER Band is designed to join HEL-COR® Pipe and provide the necessary strength to meet the current AASHTO joint and Performance Criteria for Standard Joints. HEL-COR Pipe ends are reformed with two annular corrugations, providing one locking corrugation for the HUGGER Band, plus a corrugation for an O-ring gasket when necessary. The H-12 is also used with 12" wide flat gaskets. For applications where infiltration is especially critical, the H-12 HUGGER Bands should be ordered with O-ring or flat gaskets, and in some cases, rods and lugs for pullapart resistanc

HUGGER Bands are available with any of CONTECH's **standard materials or coatings including:** *plain galvanized, asphalt coated, aluminized steel type 2, polymeric or aluminum* . The HUGGER concept features an excellent system for joining rerolled annular end corrugated pipe. Re-forming corrugations on each pipe end simplifies indexing between band and pipe, and provides for positive locking with the corrugations regardless of the orientation of the pipes. There is no need to rotate pipe sections as is often necessary with helically-ended pipe. The HUGGER Band engages the rerolled end of the pipe for 360o to provide more moment capability and pull-apart resistance than a dimple band.

HAT BAND (6,8,10" PIPE)



HUGGER BAND (12"-60")



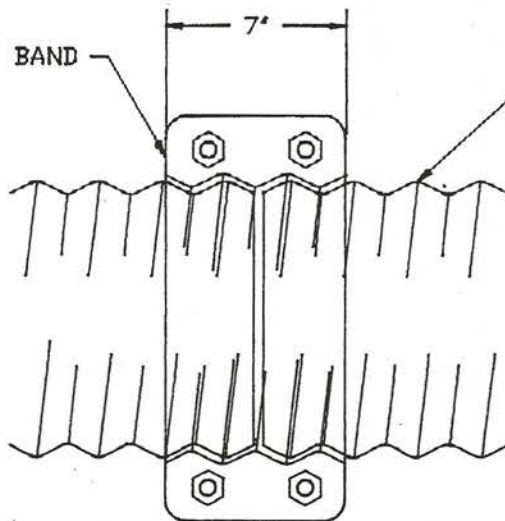
COUPLINGS FOR FULL ROUND PIPE



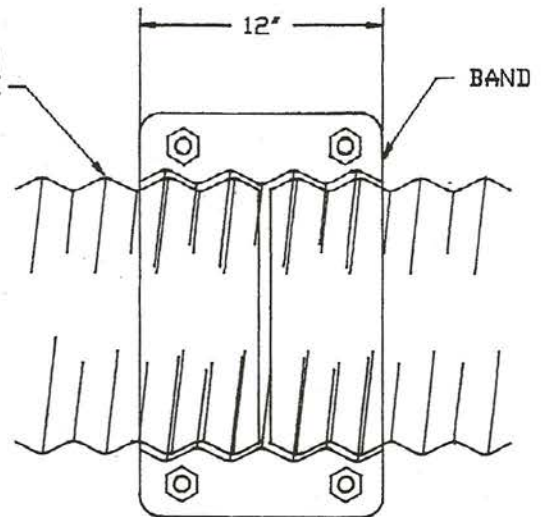
16 GAUGE COUPLINGS		
WIDTH-SEE BELOW	CORRUGATION	
JABO PART#	SIZE	PATTERN
114-03060	6"	2-2/3"X1/2"
114-03080	8"	2-2/3"X1/2"
114-03100	10"	2-2/3"X1/2"
114-04120	12"	2-2/3"X1/2"
114-04150	15"	2-2/3"X1/2"
114-04180	18"	2-2/3"X1/2"
114-04240	24"	2-2/3"X1/2"
114-04300	30"	2-2/3"X1/2"
114-04360	36"	2-2/3"X1/2"
114-04480	48"	2-2/3"X1/2"
114-04600	60"	5" X 1"
<i>Standard Band Width 6"-10" IS 7" Wide</i>		
<i>Standard Band Width 12"-60" is 12" Wide</i>		
<i>Wide Bands (24") Available upon request</i>		

JABO SUPPLY WATER WORKS PIPE

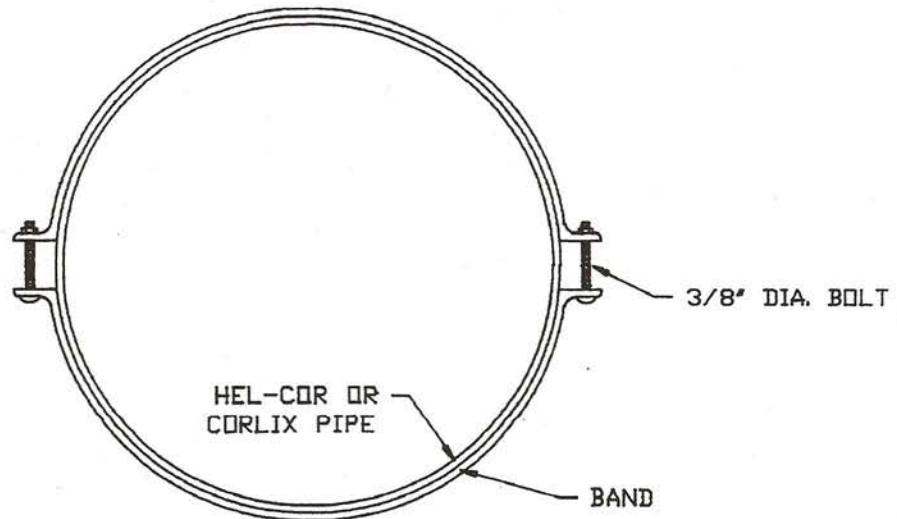
BD-VI-6



SECTION



SECTION



END VIEW

GENERAL NOTES

1. Bands are furnished in two pieces.
2. Bands may be fabricated from either steel or aluminum.
3. Dimensions are subject to manufacturing tolerances.

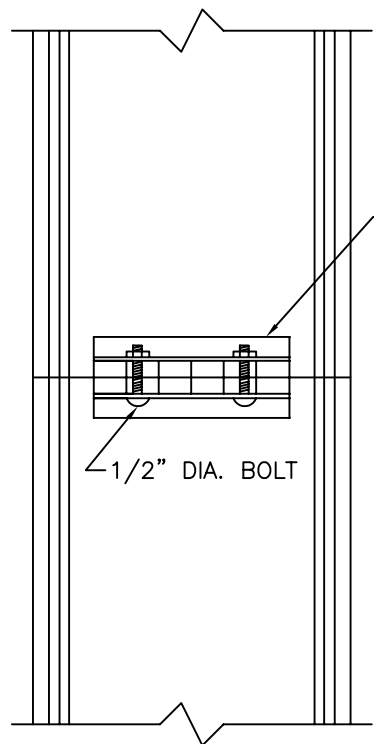
CORRUGATIONS	AVAILABLE SIZES	
	H-2 (7)	H-2 (12)
1-1/2" X 1/4" 2-2/3" X 1/2"	6" 8" 10"	N/A N/A N/A
2-2/3" X 1/2"	12" 15" 18" 24"	12" 15" 18" 24"



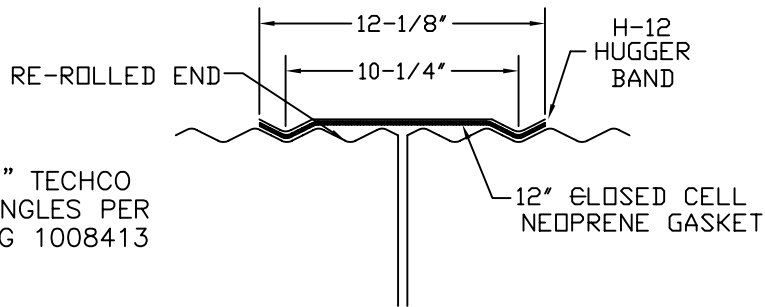
HAT BANDS
H-2 (7) & H-2 (12)

Drawing Date:	F.B. 11-5-73	Revision Date:	10-31-90 6-6-95	Drawing Number:	1005754C
---------------	-----------------	----------------	--------------------	-----------------	----------

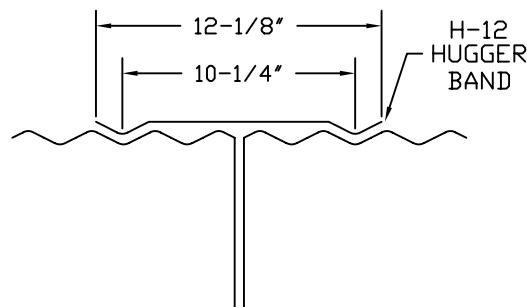
JABO SUPPLY WATER WORKS PIPE



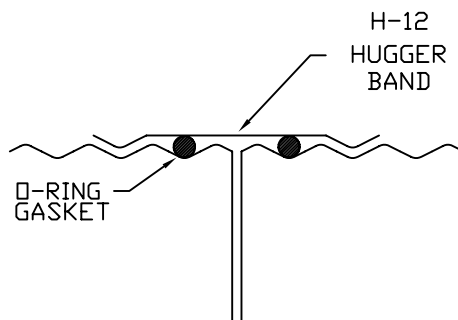
CONNECTION DETAIL
SINGLE
7-1/2" TECHCO ANGLE



FLAT GASKETED SECTION



STANDARD BAND SECTION



GASKETED⁽⁶⁾ SECTION

GENERAL NOTES

1. Refer to CONTECH Band Selection Guide for band width, gage, and fastener types.
2. Bands for pipe-arch are the same as for equivalent diameter round pipe.
3. Bands are normally furnished as follows:
 12" thru 48" 1 - piece
 54" thru 96" 2 - piece
 102" thru 120" 3 - piece
4. Band fasteners are attached with spot welds, rivets or hand welds.
5. Rerolled annular end corrugations are normally 2-2/3" x 1/2".
6. O-Ring gaskets may be used with the TECHCO Angle for soil tight applications.
7. Dimensions are subject to manufacturing tolerances.

CORRUGATIONS

2-2/3" X 1/2"
 3" X 1"
 5" X 1"
 3/4" x 3/4" x 7-1/2"

PIPE PRODUCTS

GALVANIZED
 ALUMINIZED
 BITUMINOUS COATED
 SMOOTH-FLO
 CONCRETE-LINED
 STEEL ULTRA FLO



© COPYRIGHT

H-12 HUGGER BAND
 WITH TECHCO ANGLE
 HEL-COR

DRAWN BY: F.B.	REV. BY: J.D.S.	SCALE: N/A
DATE: 6-21-90	DATE: 9-27-96	1008402C