



JABO SUPPLY



AWWA GATE VALVES



5 LOCATIONS

PARKERSBURG, WV
10085 Emerson Avenue 26102
(304) 464-4400

NORTON, VA
205 Hawthorne Drive, 24273
(276) 679-1224

HUNTINGTON, WV
209 Braley Street, 25705
(304) 736-8333

MORGANFIELD, KY
118 Jim Veatch Road, 42437
(270) 389-3430

BEAVER, WV (BECKLEY)
227 C&O Shop Road 25813
(304-252-0000

SINCE 1964 SERVICE IS MORE THAN A PROMISE

PREFIX

INDEX









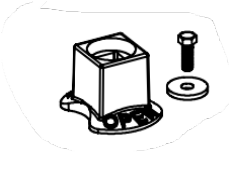
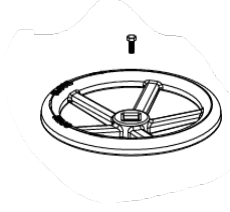
DESCRIPTIONS	PAGE #
PICTURE INDEX	4
SUPERIOR DESIGN	5
GATE VALVES (NON AIS)	6-8
*Series 3 NPT X NPT	6
*Series 25 Small Diameter MJ x MJ	6
*Series 45 MJ X MJ	6
*Series 45 150 lb. Flange X Flange	6
*Series 45 125 lb. Flange X Flange	6
*Series 45 MJ X Flange	7
*Series 65 Hymax X Hymax	7
*Series 85 Fusible Ball Valves	7
*Valve Square Nuts & Handwheels	8
GATE VALVES (AIS)	8
SERIES 25/45/55/65/66 MATERIAL PARTS BREAKDOWN	9-10
AVK RESILANT WEDGE GATE VALVE WARRANTY LETTER	11



PICTURE INDEX

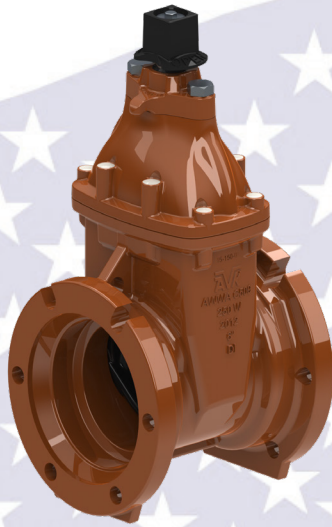
PICTURE INDEX

GATE VALVES

<p>SERIES 3</p>	<p>SERIES 25 (Small Diameter)</p>	<p>SERIES 45</p>	<p>SERIES 45</p>
<p>NPT X NPT</p>	<p>MJ X MJ</p>	<p>MJ X MJ</p>	<p>FLANGE X FLANGE 150 lb</p>
			
<p>Page 6</p>	<p>Page 6</p>	<p>Page 6</p>	<p>Page 6</p>
<p>SERIES 45</p>	<p>SERIES 45</p>	<p>SERIES 65</p>	<p>SERIES 85</p>
<p>FLANGE X FLANGE 125 lb</p>	<p>MJ X FLANGE</p>	<p>HYMAX X HYMAX</p>	<p>FUSIBLE BALL VALVES</p>
			
<p>Page 6</p>	<p>Page 7</p>	<p>Page 7</p>	<p>Page 7</p>
<p>SERIES 04</p>	<p>FOR SERIES 45/55/65/66</p>		
<p>WRENCH NUT</p>	<p>HANDWHEEL</p>		
			
<p>Page 8</p>	<p>Page 8</p>		

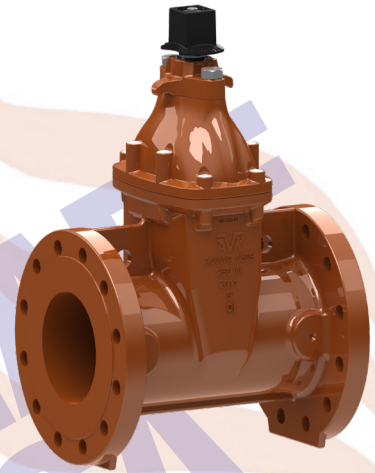
SUPERIOR DESIGN

EXPECT SUPERIOR DESIGN



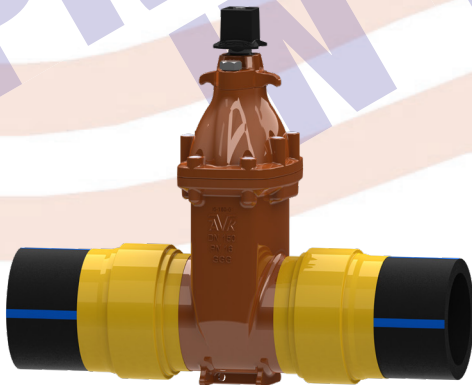
SERIES 45 FULL WALL DUCTILE IRON GATE VALVES

- Full wall, ductile iron – meets or exceeds both AWWA C515 and C509, available in sizes 2.5" -16"
- Available in all end configurations, including grooved ends, tapping valves, and OS&Y



SERIES 45 HIGH PRESSURE GATE VALVES

- Cold Working Pressure 350 PSI (CWP)
- Ductile iron, available in sizes 4" -12" ASME Class 250 flanges



SERIES 66 FUSIBLE HDPE GATE VALVES

- Designed for use with HDPE water distribution systems
- Leak-proof, fusible joints – stronger than the pipe itself – for a leak-free distribution system
- Saves labor hours, with no need for mechanical flanges or stiffening inserts
- Ductile iron bodies, available in sizes 2" -12"
- 14" and 16" available upon request

POLYURETHANE (PUR) COATING

- Industry's strongest, corrosion-resistant, exterior coating
- For use in highly corrosive soils – available on any AVK valve or hydrant
- 60 mil thickness, for toughness and durability



GATE VALVES

AWWA VALVES NON AIS

SERIES 03 / SERIES 25 / SERIES 45/ SERIES 85 NON AIS

SERIES 03 NON AIS

NPT X NPT

STOCK # OPERATING NUT



JABO PART#	SIZE
135-19997	1"
135-19998	1-1/4"
135-19999	1-1/2"
135-20000	2"
135-20005	2-1/2"
135-20010	3"

SERIES 25 NON AIS

MJ X MJ

STOCK # OPERATING NUT



JABO PART#	SIZE
135-00020	2"
250 PSI	

SERIES 45 AWWA C509/C515

MJ X MJ

SERIES 45/MMN

STOCK # OPERATING NUT



JABO PART#	SIZE
135-00030	3"
135-00040	4"
135-00060	6"
135-00080	8"
135-00100	10"
135-00120	12"
135-00125	14'
*	16"
AVAILABLE SIZE 3"-16"	
OPENS LEFT	
FOR 2" MJ SEE SERIES 25	

FLANGE X FLANGE

SERIES 45/FFH

150 lb. Flange



JABO PART#	SIZE
135-03000	3"
135-04000	4"
135-06000	6"
135-08000	8"
135-10000	10"
135-12000	12"
STOCK HANDWHEEL	
AVAILABLE SIZE 4"-12"	
OPENS LEFT	

FLANGE X FLANGE

SERIES 45/FFN

125 lb. Flange



JABO PART#	SIZE
*	3"
*	4"
*	6"
*	8"
*	10"
*	12"
STOCK HANDWHEEL	
AVAILABLE SIZE 4"-12"	
OPENS LEFT	

***NON STOCK CALL JABO SUPPLY**

GATE VALVES

AWWA VALVES NON AIS

SERIES 03 / SERIES 25 / SERIES 45/ SERIES 85 NON AIS

SERIES 45 NON AIS

MJ X FLANGE SERIES 45/MFN



JABO PART#	SIZE
135-13560	3"
135-13561	4"
135-13562	6"
135-13563	8"
135-13564	10"
135-13565	12"
*	14"
*	16"
AVAILABLE SIZE 3"-16"	
OPENS RIGHT	

SERIES 65 NON AIS

HYMAX X HYMAX SERIES 65






JABO PART#	SIZE
135-13030	1-1/2"-2"
135-13035	2-1/2"
135-13040	3"
135-13050	4"
135-13060	6"
135-13080	8"
135-13200	10"
135-13250	12"
OPENS RIGHT	

FUSIBLE BALL VALVES

SDR 11 FUSIBLE

SDR 9 FUSIBLE

SDR 9 FUSIBLE

SERIES 85 NON AIS		SERIES 85 NON AIS		SERIES 85 NON AIS	
					
JABO PART#	SIZE	JABO PART#	SIZE	JABO PART#	SIZE
135-20200	1"	NON STOCK	2"-6"	NON STOCK	2"-6"
AVAILABLE FROM 3/4"-6"					

*NON STOCK CALL JABO SUPPLY

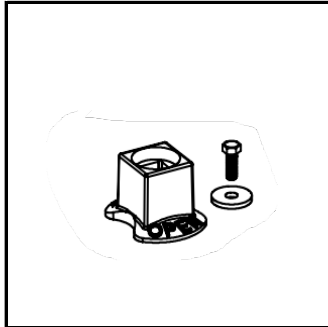
GATE VALVES

AWWA VALVE ACCESSORIES

SQUARE NUTS / HANDWHEELS

SQUARE NUTS

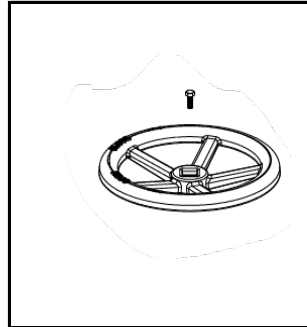
**SERIES 04 WRENCH NUT
DUCTILE IRON**



JABO PART#	SIZE
135-20120	2-1/2"-4"
135-20125	6"
135-20130	8"-12"

HANDWHEEL

**FOR AVK SERIES 45, 55,
65, & 66 WITH BOLT AND
WASHER**



JABO PART#	SIZE
135-20135	4"
135-20137	6"
135-20139	8"
135-20141	10"-12"

AWWA VALVES AIS

SERIES 03 / SERIES 25 / SERIES 45 AIS

AVK Valves are compliant with AIS (American Iron and Steel) & BABA (Build America Buy America) . However, these valves must be identified at the time of order to receive the necessary paper. These valves are specific to each job. .

American AVK Series 25/45/55/65/66 Resilient Seated Gate Valve Exploded Parts Breakdown

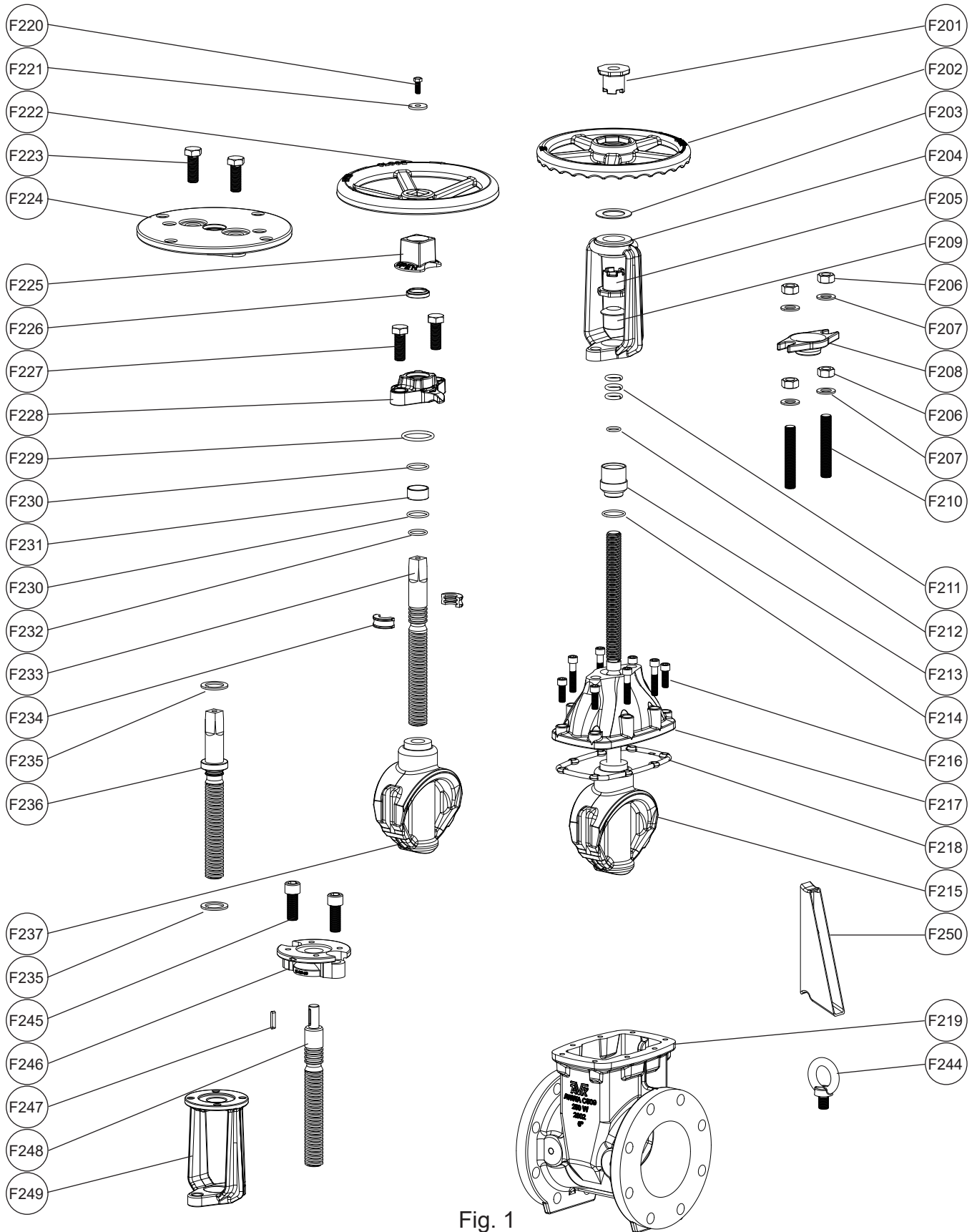


Fig. 1
page 1

Item No.	Description	Material
F201	Upper Stem Nut	Copper Alloy
F202	OS&Y Handwheel	Grey Iron, ASTM126, Class "B"
F203	Anti Friction Washer	Copper Alloy
F204	Yoke	Ductile Iron, ASTM A536
F205	Lower Stem Nut	Copper Alloy
F206	Gland Follower/Yoke Nut	Zinc Plate, 304 Stainless steel
F207	Gland Follower/Yoke Washer	Zinc Plate, 304 Stainless steel
F208	Gland Follower	Ductile Iron, ASTM A536
F209	Gland	Nylon
F210	Stud Bolt	Zinc Plate, 304 Stainless steel
F211	Stem Seal O-rings	(SBR) Styrene Butadiene Rubber
F212	Inner Bushing O-ring	(NBR) Acrylonitrile Butadiene Rubber
F213	OS&Y Bushing	Nylon
F214	Outer Bushing O-ring	(NBR) Acrylonitrile Butadiene Rubber
F215	OS&Y Stem Assembly Copper Alloy Stem Stainless Steel Stem Wedge Pin Wedge	14"-16" Copper Alloy (refer to appropriate datasheet, Series & Size for specific materials) Stainless steel, (refer to appropriate datasheet, Series & Size for specific materials) 316, Stainless Steel (SBR) Styrene Butadiene Rubber, (EPDM) Ethylene-Propylene-Diene Rubber, Encapsulated Ductile Iron core
F216	Bonnet Bolts	Stainless steel (refer to appropriate datasheet, Series & Size for specific materials)
F217	Bonnet (Grey Iron) Bonnet (Ductile Iron)	Grey Iron, ASTM A126,"B" Ductile Iron, ASTM A536
F218	Bonnet Gasket	(NBR) Acrylonitrile Butadiene Rubber
F219	Body (Grey Iron) Body (Ductile Iron)	Grey Iron, ASTM A126,"B" Ductile Iron, ASTM A536
F220	Wrench Nut/Handwheel Bolt	Stainless steel
F221	Wrench Nut/Handwheel Washer	Stainless steel
F222	NRS Handwheel	Grey Iron, ASTM A126,"B"
F223	Post Indicator Bolts	Zinc Plate, 304, 316 Stainless steel
F224	Post Indicator	Grey Iron, ASTM A126,"B"
F225	Wrench Nut	Grey Iron, ASTM A126,"B"
F226	Wiper Ring	(NBR) Acrylonitrile Butadiene Rubber
F227	Gland Flange Bolt	Stainless steel (refer to appropriate datasheet, Series & Size for specific materials)
F228	Gland Flange	Ductile Iron, ASTM A536
F229	Gland O-ring	(NBR) Acrylonitrile Butadiene Rubber
F230	Upper Stem Seal O-rings	(NBR) Acrylonitrile Butadiene Rubber
F231	Stem Seal Bushing	Nylon
F232	Lower Stem Seal O-ring	(NBR) Acrylonitrile Butadiene Rubber
F233	Stainless NRS Stem	Stainless steel (refer to appropriate datasheet, Series & Size for specific materials)
F234	Thrust Collar	Copper Alloy
F235	NRS Anti-Friction Washer	Nylon
F236	Low Zinc NRS Stem	Copper Alloy (refer to appropriate datasheet, Series & Size for specific materials)
F237	NRS Wedge	(SBR) Styrene Butadiene Rubber, (EPDM) Ethylene-Propylene-Diene Rubber, Encapsulated Ductile Iron core
F238*	Outer O-rings (Series 03)	304 Stainless steel
F239*	Inner O-rings (Series 03)	Polyurethane
F240*	Slide Bearing (Series 03)	304 Stainless steel
F241*	Stem Collar (Series 03)	Mild Steel, 304 Stainless steel
F242*	Stem Seal (Series 03)	304 Stainless steel
F244**	Lifting Eye	304 Stainless steel
F245	Actuator Adapter Plate Bolt	304 Stainless steel
F246	Actuator Adapter Plate (NRS)	Ductile Iron, ASTM A536
F247	Stem Key	Mild Steel
F248	Actuator Stem	Stainless steel (refer to appropriate datasheet, Series & Size for specific materials)
F249	Actuator Yoke (OS&Y)	Ductile Iron, ASTM A536
F250***	Spool Piece	Ductile Iron, ASTM A536
F251***	Elbow	Ductile Iron, ASTM A536
F252***	Wedge Shoe (Series 55)	Nylon
F253 ††	Retaining Ring (Series 66)	Mild Steel
F254 ††	Shrink Tubing (Series 66)	

* Series 03 Valves only

** 14"-24" Valves only

*** Series 55 Valves only

†† Series 66 Valves only

AVK WARRANTY LETTER



AMERICAN AVK COMPANY TEN (10) YEAR WARRANTY RESILIENT WEDGE GATE VALVES

American AVK Company warrants its Series 03, Series 18, Series 25, Series 45, Series 55, and Series 66 Resilient Wedge Gate Valves to be free from defects in workmanship and materials for a period of ten (10) years from the date of shipment from American AVK Company. American AVK Company shall have no obligation under this warranty unless it is notified of claims hereunder promptly and in writing upon discovery thereof and within the warranty period, and unless the product is delivered to the American AVK Company facility within thirty (30) days of such notice.

American AVK shall have the right to inspect said product before it is removed from installation. If the product is removed from installation prior to approval from American AVK this warranty shall be void.

As to motors, gearing or accessory equipment purchased by American AVK Company from others manufacturers, and used or incorporated into American AVK Company's products, those manufacturers' warranties shall apply.

American AVK Company will honor all reasonable costs to repair or replace any American AVK Company Resilient Wedge Gate Valve found to be defective.

American AVK Company's sole responsibility shall be, in its sole discretion, to replace the product with the same or a similar product, repair the product, or refund the price paid for the product provided the product has been properly applied and used under normal service and under conditions for which it is designed. American AVK Company shall not be liable for indirect, special, incidental, or consequential damage or penalties and does not assume any liability of purchase to others or to anyone for injury to persons or property.

THIS IS THE EXCLUSIVE WARRANTY GIVEN IN CONNECTION WITH THE SALE OF THIS PRODUCT. THERE ARE NO OTHER WARRANTIES, EXPRESSED OR IMPLIED, INCLUDING EXPRESSED OR IMPLIED WARRANTY OF MERCHANTABILITY, OR ANY EXPRESSED OR IMPLIED WARRANTY OF SUITABILITY FOR ANY PARTICULAR PURPOSE, GIVEN BY AMERICAN AVK COMPANY IN CONNECTION WITH THIS PRODUCT.

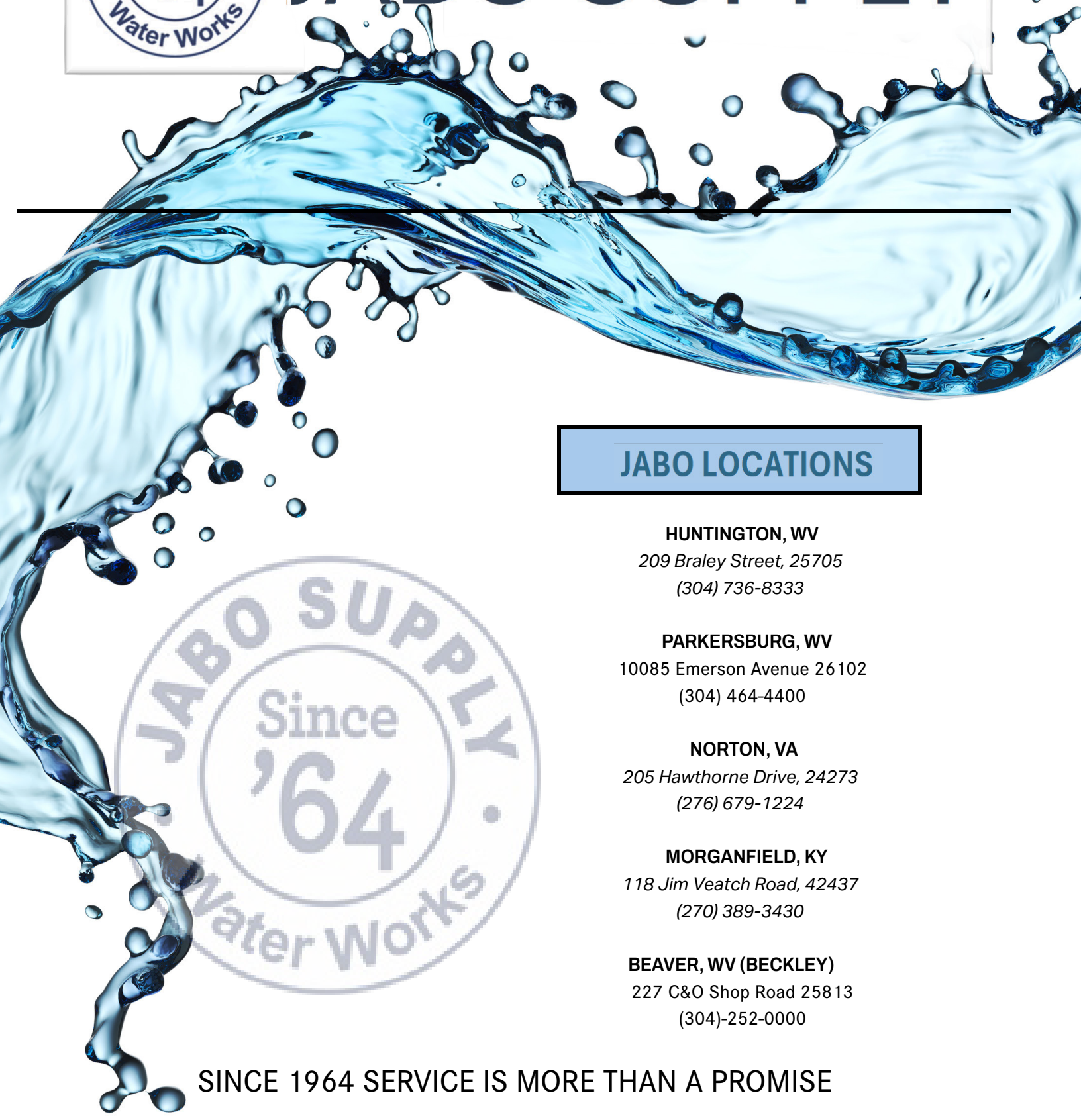
American AVK Company

2155 Meridian Blvd
Minden, NV 89423

Expect... 



JABO SUPPLY



JABO LOCATIONS

HUNTINGTON, WV

209 Braley Street, 25705
(304) 736-8333

PARKERSBURG, WV

10085 Emerson Avenue 26102
(304) 464-4400

NORTON, VA

205 Hawthorne Drive, 24273
(276) 679-1224

MORGANFIELD, KY

118 Jim Veatch Road, 42437
(270) 389-3430

BEAVER, WV (BECKLEY)

227 C&O Shop Road 25813
(304)-252-0000

SINCE 1964 SERVICE IS MORE THAN A PROMISE