

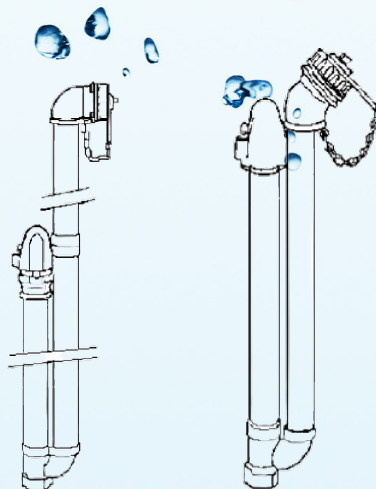


JABO SUPPLY



POST FLUSHING HYDRANTS

"BLOW OFF HYDRANTS"





5 LOCATIONS

PARKERSBURG, WV
 10085 Emerson Avenue 26102
 (304) 464-4400

NORTON, VA
 205 Hawthorne Drive, 24273
 (276) 679-1224

HUNTINGTON, WV
 209 Braley Street, 25705
 (304) 736-8333

MORGANFIELD, KY
 118 Jim Veatch Road, 42437
 (270) 389-3430

BEAVER, WV (BECKLEY)
 227 C&O Shop Road 25813
 (304-252-0000

SINCE 1964 SERVICE IS MORE THAN A PROMISE

PREFIX


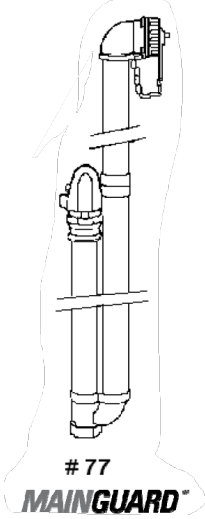
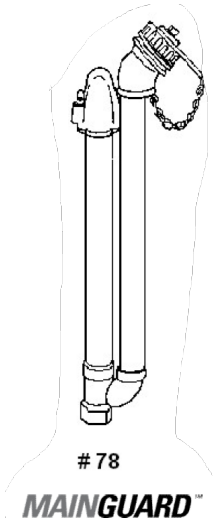

INDEX

DESCRIPTIONS	PAGE #
PICTURE INDEX	4
POST FLUSHING HYDRANTS	5-6
<i>*Eclipses #2</i>	5
<i>*Mainguard #77</i>	5
<i>*Mainguard #78</i>	6
<i>*AVK #67</i>	6

PICUTRE INDEX

PICTURE INDEX

POST FLUSHING HYDRANTS

ECLIPES #2	MAINGUARD #77	MAINGUARD #78	AVK #67
	 <p># 77 MAINGUARD™</p>	 <p># 78 MAINGUARD™</p>	
Page 5	Page 5	Page 6	Page 6





JABO # POST FUSHING HYDRANTS

POST FLUSHING HYDRANTS

"BLOW OFF HYDRANTS"

ELCLIPSE #2			
JABO PART#	BURY	INLET SIZE	INLET TYPE
135-30080	3'	2"	FIPT
135-30085	3'	2"	MJ

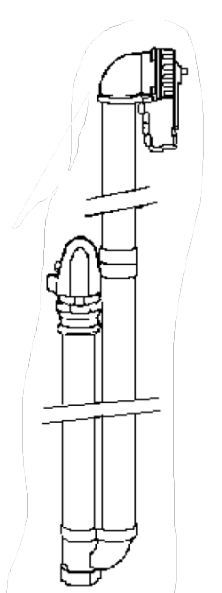




STANDARD FEATURES

- 3" Bury or Less
 - Any size up to 2-1/2" NST
 - 2-3/16" Valve Opening
 - Fusion-bonded epoxy steel standng pipe
 - Self Draining , non-freezing
 - 1-1/2" Pentagon operating nut
 - Choice of mutiple inlet type
 - Standard Color - Red
- ADDS**
- Depths of bury over 3' per 6"
 - 2" FIP Inlet
 - 2" MJ inlet w/accessories
 - 2-1/2" FIP inlet
 - 3" FIP inlet
 - 3" MJ inlet (no accessories)
 - Two nozzles of any size (2-1/2" NST max)
 - 10" hand wheel for 1-1/2" pentagon (part #667)
 - Solid operating rod

MAINGUARD #77				
JABO PART#	BURY	INLET SIZE	INLET	INLET TYPE
*	3'	2"	Vertical	FIPT

STANDARD #77 LISTED ABOVE (SEE ADDS IF OTHER OPTIONS ARE NEEDED)

#77
MAINGUARD™

STANDARD FEATURES

- 3' Bury or less
- 2" FIP vertical (Straight _ Inlet
- 2-1/2" NST Outlet (or any smaller size)
- Self draining, non-freezing
- Traffic Break Away
- Locking security cover
- Slotted corp style operating nut
- All brass principal working parts

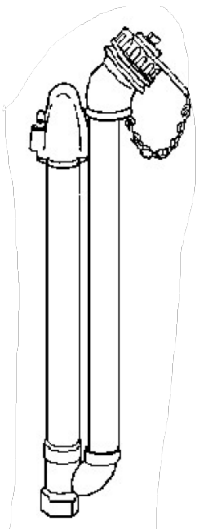

ADDS

- Depths of bury over 3' per 6"
- 90 degree horizontal (side) inlet
- 2" MJ inlet iron w/ epoxy coat
- 2" MJ inlet all brass adapter

JABO # POST FUSHING HYDRANTS

POST FLUSHING HYDRANTS

"BLOW OFF HYDRANTS"



 <p># 78 MAINGUARD™</p>	MAINGUARD #78				
	JABO PART#	BURY	INLET SIZE	INLET	INLET TYPE
	*	3'	2"	Vertical	FIPT
	STANDARD #77 LISTED ABOVE (SEE ADDS IF OTHER OPTIONS ARE NEEDED)				
					

STANDARD FEATURES

- 3' Bury or less
- 2" FIP vertical (Straight _ Inlet
- 2-1/2" NST Outlet (or any smaller size)
- Self draining, non-freezing
- Fits inside meter box (*not included*)
- Locking security cover
- Slotted corp style operating nut

ADDS

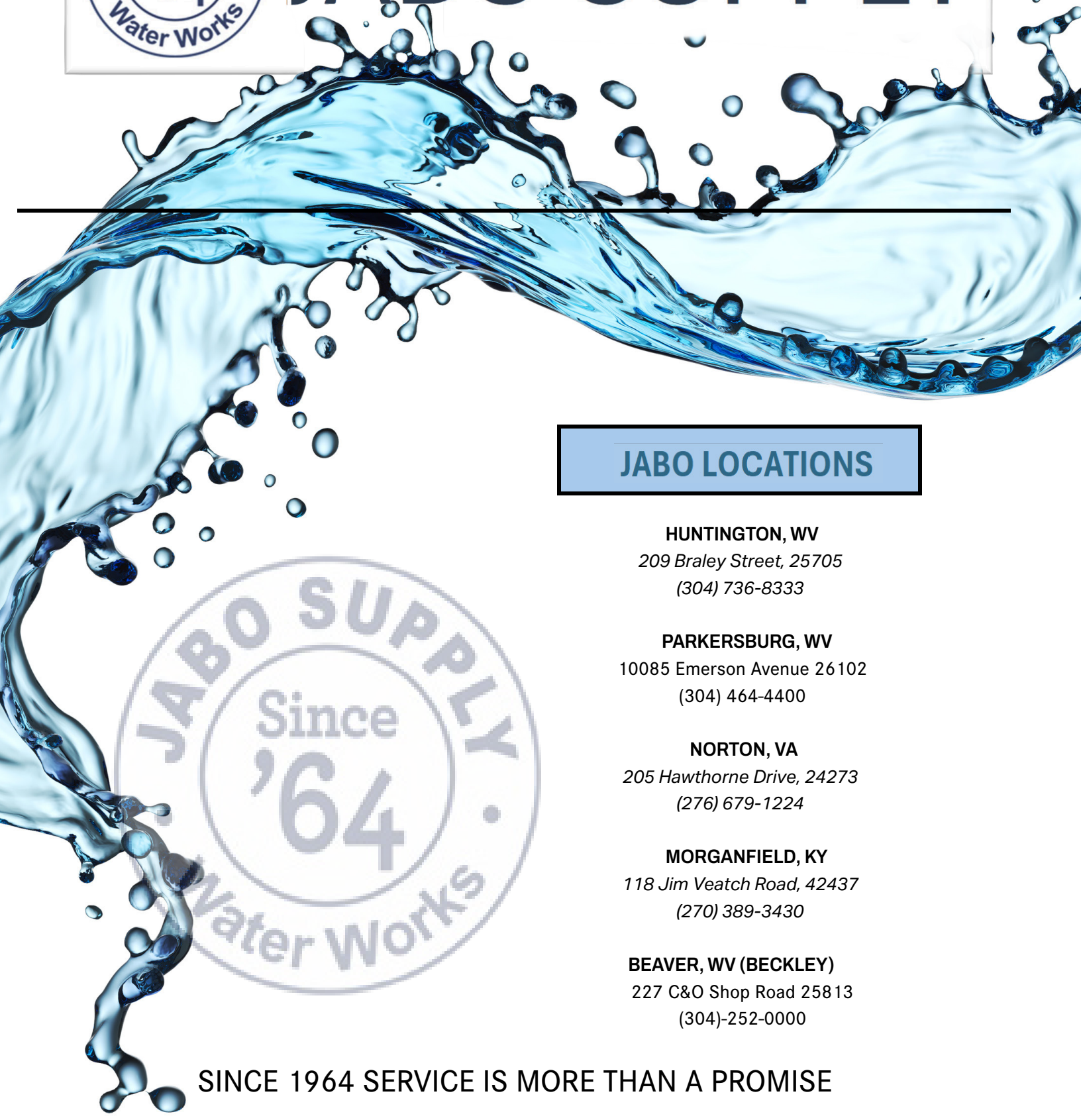
- Depths of bury over 3', per 6"
- 90 degree horizontal (side) inlet
- 2" MJ inlet iron w/ epoxy coat
- 2" MJ inlet all brass adapter

	AVK #67 FLUSH HYDRANT			
	JABO PART#	BURY	INLET SIZE	INLET TYPE
	135-30100	3-1/2'	2"	MJ
	SERIES 67 EXTENSION KIT			
		AVAILABLE FROM 6"-5'		
				

- Tested to AWWA C502
- Self draining dry barrel hydrant to prevent freezing.
- Available in any depth of bury (6 inch increments).
- 2 1/4" main valve opening.
- Low head loss design
- Rated to 250 PSI working pressure
- All internal parts are removable from the top for easy maintenance
- Can be open left or open right
- Optional hand wheel available.
- Optional stainless steel lower stem
- Certified to: ANSI/NSF 61, ANSI/NSF 372
- ... • 1 year warranty



JABO SUPPLY



JABO LOCATIONS

HUNTINGTON, WV

209 Braley Street, 25705
(304) 736-8333

PARKERSBURG, WV

10085 Emerson Avenue 26102
(304) 464-4400

NORTON, VA

205 Hawthorne Drive, 24273
(276) 679-1224

MORGANFIELD, KY

118 Jim Veatch Road, 42437
(270) 389-3430

BEAVER, WV (BECKLEY)

227 C&O Shop Road 25813
(304)-252-0000

SINCE 1964 SERVICE IS MORE THAN A PROMISE