

A large, dynamic splash of clear blue water dominates the background, creating a sense of freshness and movement. The water droplets and splashes are rendered with high detail and realism.

# JABO SUPPLY

# AWWA

# VALVES & HYDRANTS



*SINCE 1964 SINCE IS MORE THAN A PROMISE*



**5 LOCATIONS**

**PARKERSBURG, WV**  
10085 Emerson Avenue 26102  
(304) 464-4400

**NORTON, VA**  
205 Hawthorne Drive, 24273  
(276) 679-1224

**HUNTINGTON, WV**  
209 Braley Street, 25705  
(304) 736-8333

**MORGANFIELD, KY**  
118 Jim Veatch Road, 42437  
(270) 389-3430

**BEAVER, WV (BECKLEY)**  
227 C&O Shop Road 25813  
(304-252-0000

**SINCE 1964 SERVICE IS MORE THAN A PROMISE**

**INDEX**


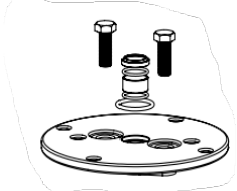

<b>DESCRIPTIONS</b>	<b>PAGE #</b>
<b>PICTURE INDEX</b>	<b>4-6</b>
<b>GATE VALVES</b>	<b>7-15</b>
*Series 3 NPT X NPT	10
*Series 25 Small Diameter MJ x MJ	10
*Series 45 MJ X MJ	10
*Series 45 150 lb. Flange X Flange	10
*Series 45 125 lb. Flange X Flange	10
*Series 45 MJ X Flange	11
*Series 65 Hymax X Hymax	11
*Series 85 Fusible Ball Valves	11
*Valve Square Nuts & Handwheels	12
*Series 45 Parts List	13-14
*Resilant Wedge Gate Valves Warranty Letter (AVK)	15
<b>POST INDICATORS</b>	<b>16-17</b>
*Post Indicator Plate	17
*Telescopic Post Indicator	17
<b>HYDRANTS</b>	<b>18-25</b>
*Dry Barrell Options	19-21
*Dry Barrell Hydrants & Parts List	22-25
<b>VALVE &amp; HYDRANT ACCESSORIES</b>	<b>26-28</b>
*AVK Seat Wrench	27
*Hydrant Extensions	27
*Hydrant Repair Kit	27
*Tamper Guard	27
*Hydrant Wrench	27
*Hydrant Grease	27
*Hydrant Main Valve	27
*Storz Cap	28
*Spanner Wrench	28
*T-Handle Wrench	28
*Stem Extension	28
*Square Nuts	28
*Handwheels	28
<b>POST FLUSHING HYDRANTS</b>	<b>29-31</b>
*Eclipses #2	30
*Mainguard #77	30
*Mainguard #78	31
*AVK #67	31

**PICTURE INDEX**

**GATE VALVES**




<b>SERIES 3</b>	<b>SERIES 25 (Small Diameter)</b>	<b>SERIES 45</b>	<b>SERIES 45</b>
<b>NPT X NPT</b>	<b>MJ X MJ</b>	<b>MJ X MJ</b>	<b>FLANGE X FLANGE 150 lb</b>
			
<b>PAGE 10</b>	<b>PAGE 10</b>	<b>PAGE 10</b>	<b>PAGE 10</b>
<b>SERIES 45</b>	<b>SERIES 45</b>	<b>SERIES 65</b>	<b>SERIES 85</b>
<b>FLANGE X FLANGE 125 lb</b>	<b>MJ X FLANGE</b>	<b>HYMAX X HYMAX</b>	<b>FUSIBLE BALL VALVES</b>
			
<b>PAGE 10</b>	<b>PAGE 11</b>	<b>PAGE 11</b>	<b>PAGE 11</b>

**POST INDICATORS**





<b>POST INDICATOR</b>	<b>POST INDICATOR</b>	
<b>PLATE</b>	<b>TELESCOPIC</b>	
		
<b>PAGE 17</b>	<b>PAGE 18</b>	


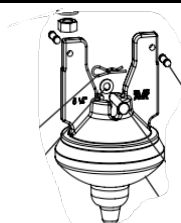

**PICTURE INDEX**

**HYDRANTS**

DRY BARRELL (STOCK)	WET BARRELL	
STOCK HYDRANT	NON STOCK	
		
<b>PAGES 18-25</b>	<b>NOT IN CATALOG</b>	



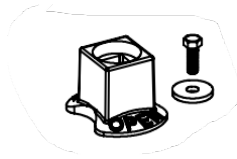
**HYDRANT ACCESSORIES**

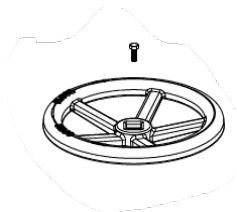
SEAT WRENCH	AVK	AVK	AVK
	HYDRANT EXTENSION	HYDRANT REPAIR KIT	TAMPER GUARD
			
<b>PAGE 27</b>	<b>PAGE 27</b>	<b>PAGE 27</b>	<b>PAGE 27</b>

HYDRANT WRENCH	HYDRANT GREASE	AVK	AVK
ADJUSTABLE		HYDRANT MAIN VALVE	STORZ CAP
	<p>PHOTO NOT AVAILABLE</p>		
<b>PAGE 27</b>	<b>PAGE 27</b>	<b>PAGE 27</b>	<b>PAGE 28</b>


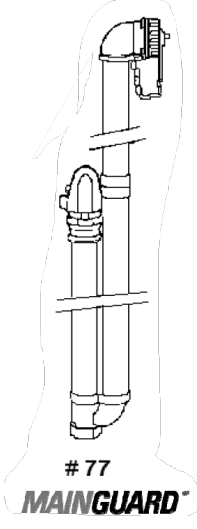
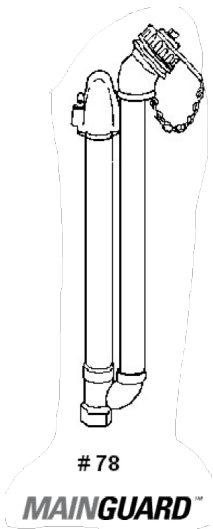

**PICTURE INDEX**

**HYDRANT ACCESSORIES**

SPANNER WRENCH	T HANDLE WRENCH	STEM EXTENSION	SQUARE NUT
PHOTO NOT AVAILABLE	 <p>MUD SLOTS prevent packing of dirt inside socket</p>		
PAGE 28	PAGE 28	PAGE 28	PAGE 28

HAND WHEEL

PAGE 28

**POST FLUSHING HYDRANTS**

ECLIPES #2	MAINGUARD #77	MAINGUARD #78	AVK #67
	 <p># 77 MAINGUARD™</p>	 <p># 78 MAINGUARD™</p>	
PAGE 30	PAGE 30	PAGE 31	PAGE 31

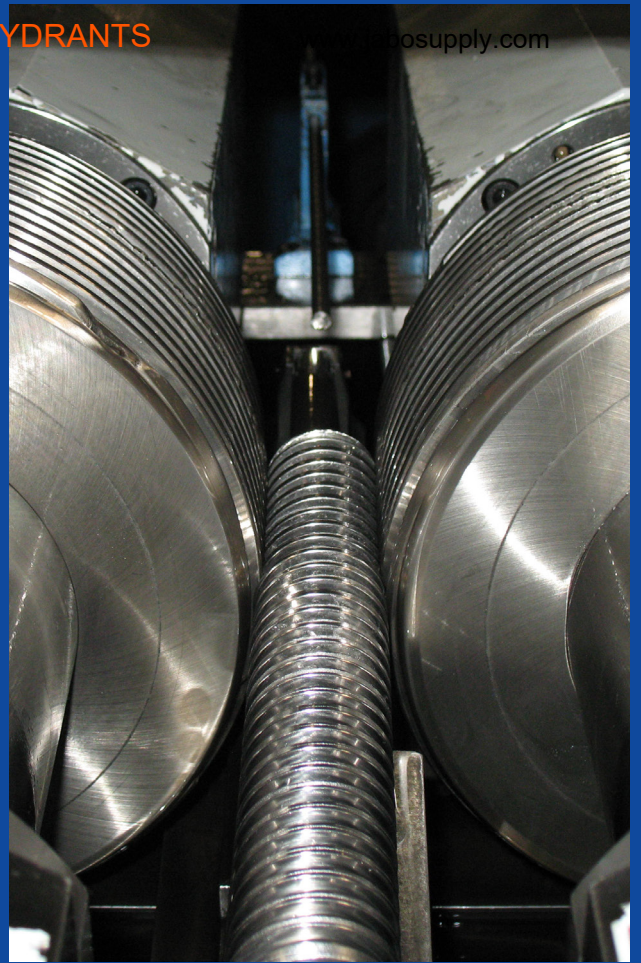
# AWWA GATE VALVES



# AVK VALVES STANDARD FEATURES

## AVK STANDARD FEATURES

- AVK Gate Valves are made of ductile iron and meet or exceed AWWA C509 or C515
- High strength ASTM A582 stainless steel stems standard
- Cold-rolled threading process eliminates bent or broken stems
- 316 stainless steel bonnet bolts are fully isolated against corrosion to eliminate bonnet bolt failures
- Certified to comply with NSF 61, NSF 372 and the new low-lead requirements of the Safe Drinking Water Act
- All AVK Gate Valves are covered by a 10 year warranty
- Made in the USA



## FULLY ENCAPSULATED EPDM WEDGE DUCTILE IRON CORE

- Fully encapsulated EPDM wedge prevents deterioration from disinfectants
- Fixed wedge-nut provides higher torque resistance and prevents rubber wear and leakage

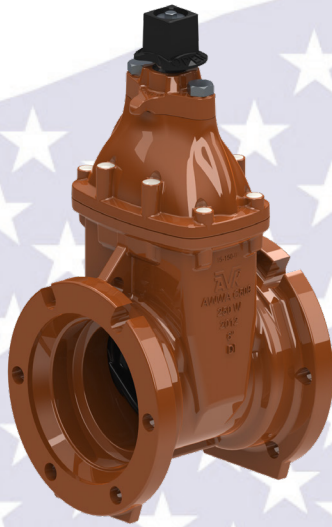


## SERIAL NUMBER – PERMANENTLY ENGRAVED ON STEM

- Every AVK valve has a unique serial number engraved on the stem
- Serial numbers provide complete traceability to the date the valve was built and every operation performed throughout our manufacturing process.

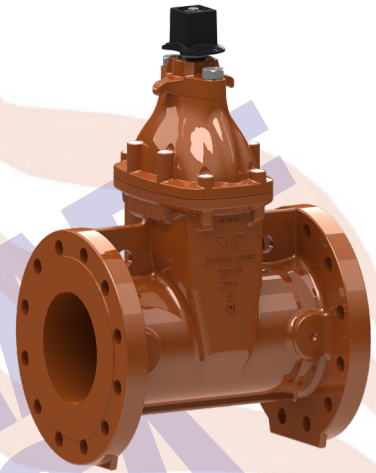


# EXPECT SUPERIOR DESIGN



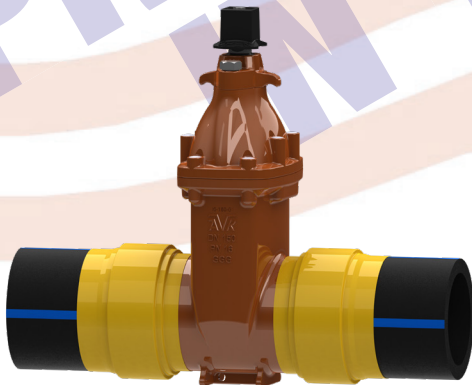
## SERIES 45 FULL WALL DUCTILE IRON GATE VALVES

- Full wall, ductile iron – meets or exceeds both AWWA C515 and C509, available in sizes 2.5" -16"
- Available in all end configurations, including grooved ends, tapping valves, and OS&Y



## SERIES 45 HIGH PRESSURE GATE VALVES

- Cold Working Pressure 350 PSI (CWP)
- Ductile iron, available in sizes 4" -12" ASME Class 250 flanges



## SERIES 66 FUSIBLE HDPE GATE VALVES

- Designed for use with HDPE water distribution systems
- Leak-proof, fusible joints – stronger than the pipe itself – for a leak-free distribution system
- Saves labor hours, with no need for mechanical flanges or stiffening inserts
- Ductile iron bodies, available in sizes 2" -12"
- 14" and 16" available upon request

## POLYURETHANE (PUR) COATING

- Industry's strongest, corrosion-resistant, exterior coating
- For use in highly corrosive soils – available on any AVK valve or hydrant
- 60 mil thickness, for toughness and durability



**AWWA VALVES NON AIS**

SERIES 03 / SERIES 25 / SERIES 45/ SERIES 85 NON AIS

**SERIES 03 NON AIS**

**NPT X NPT**

STOCK # OPERATING NUT



JABO PART#	SIZE
135-19997	1"
135-19998	1-1/4"
135-19999	1-1/2"
135-20000	2"
135-20005	2-1/2"
135-20010	3"

**SERIES 25 NON AIS**

**MJ X MJ**

STOCK # OPERATING NUT



JABO PART#	SIZE
135-00020	2"
250 PSI	

**SERIES 45 AWWA C509/C515**

**MJ X MJ**

**SERIES 45/MMN**

STOCK # OPERATING NUT



JABO PART#	SIZE
135-00030	3"
135-00040	4"
135-00060	6"
135-00080	8"
135-00100	10"
135-00120	12"
135-00125	14'
*	16"
AVAILABLE SIZE 3" -16"	
OPENS LEFT	
FOR 2" MJ SEE SERIES 25	

**FLANGE X FLANGE**

**SERIES 45/FFH**

150 lb. Flange



JABO PART#	SIZE
135-03000	3"
135-04000	4"
135-06000	6"
135-08000	8"
135-10000	10"
135-12000	12"
STOCK HANDWHEEL	
AVAILABLE SIZE 4"-12"	
OPENS LEFT	

**FLANGE X FLANGE**

**SERIES 45/FFN**

125 lb. Flange



JABO PART#	SIZE
*	3"
*	4"
*	6"
*	8"
*	10"
*	12"
STOCK HANDWHEEL	
AVAILABLE SIZE 4"-12"	
OPENS LEFT	


**\*NON STOCK CALL JABO SUPPLY**

**AWWA VALVES NON AIS**

SERIES 03 / SERIES 25 / SERIES 45/ SERIES 85 NON AIS

**SERIES 45 NON AIS**


**MJ X FLANGE**  
*SERIES 45/MFN*



JABO PART#	SIZE
135-13560	3"
135-13561	4"
135-13562	6"
135-13563	8"
135-13564	10"
135-13565	12"
*	14"
*	16"
AVAILABLE SIZE 3"-16"	
OPENS RIGHT	

**SERIES 65 NON AIS**

**HYMAX X HYMAX**  
*SERIES 65*






JABO PART#	SIZE
135-13030	1-1/2"-2"
135-13035	2-1/2"
135-13040	3"
135-13050	4"
135-13060	6"
135-13080	8"
135-13200	10"
135-13250	12"
OPENS RIGHT	

**FUSIBLE BALL VALVES**

**SDR 11 FUSIBLE**

**SDR 9 FUSIBLE**

**SDR 9 FUSIBLE**

SERIES 85		SERIES 85		SERIES 85	
					
JABO PART#	SIZE	JABO PART#	SIZE	JABO PART#	SIZE
135-20200	1"	NON STOCK	2"-6"	NON STOCK	2"-6"
AVAILABLE FROM 3/4"-6"					

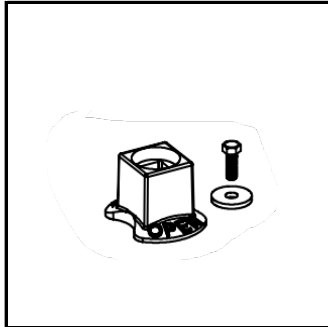
**\*NON STOCK CALL JABO SUPPLY**

**AWWA VALVE ACCESSORIES**

SQUARE NUTS / HANDWHEELS

**SQUARE NUTS**

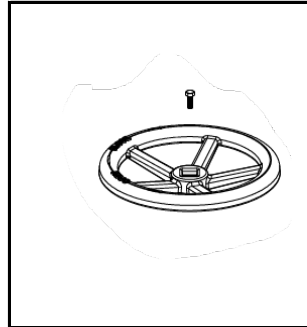
**SERIES 04 WRENCH NUT  
DUCTILE IRON**



JABO PART#	SIZE
135-20120	2-1/2"-4"
135-20125	6"
135-20130	8"-12"

**HANDWHEEL**

**FOR AVK SERIES 45, 55,  
65, & 66 WITH BOLT AND  
WASHER**



JABO PART#	SIZE
135-20135	4"
135-20137	6"
135-20139	8"
135-20141	10"-12"

**AWWA VALVES AIS**

SERIES 03 / SERIES 25 / SERIES 45 AIS

**AVK Valves are compliant with AIS (American Iron and Steel) & BABA (Build America Buy America) . However, these valves must be identified at the time of order to receive the necessary paper. These valves are specific to each job. .**

### American AVK Series 25/45/55/65/66 Resilient Seated Gate Valve Exploded Parts Breakdown

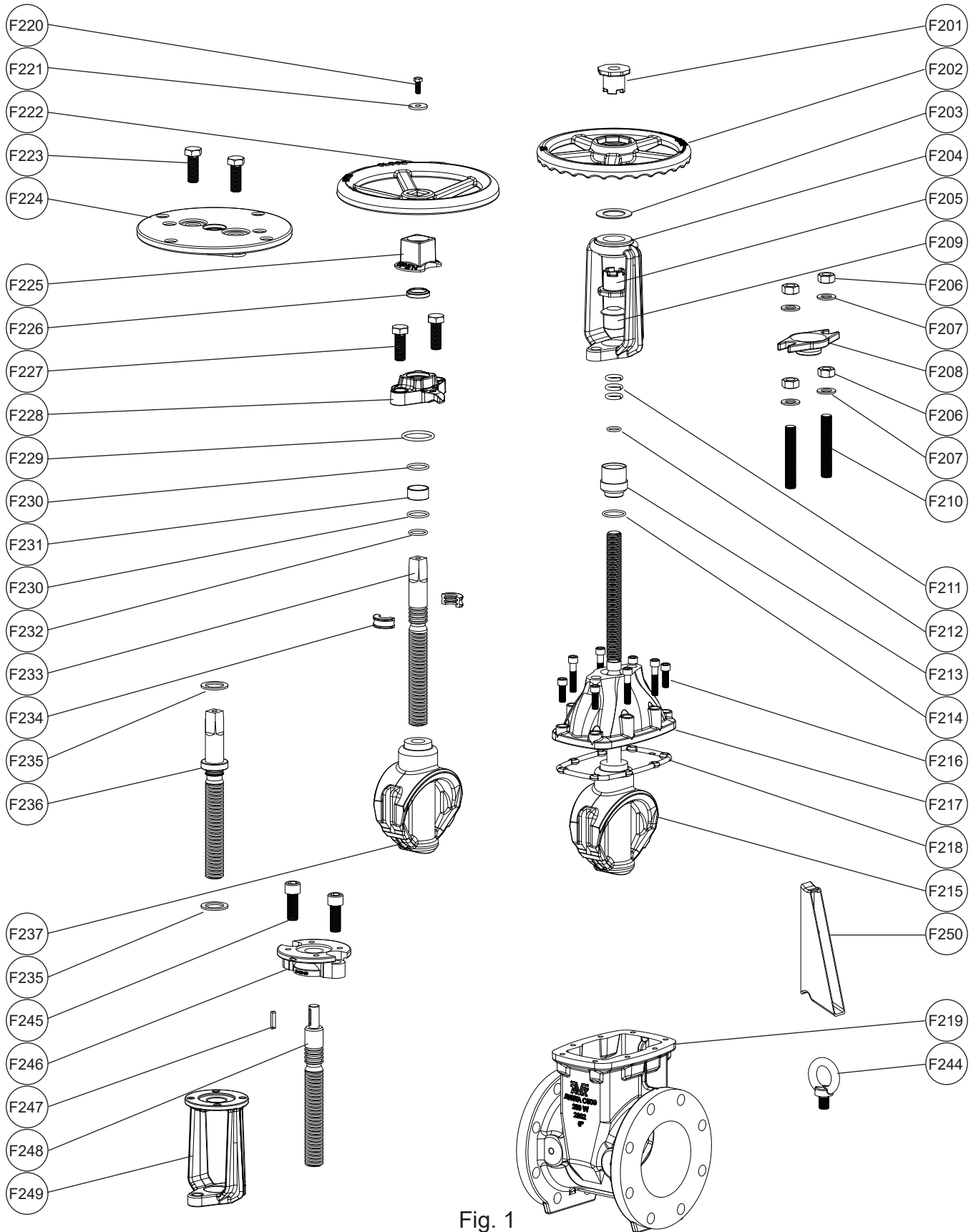


Fig. 1

Item No.	Description	Material
F201	Upper Stem Nut	Copper Alloy
F202	OS&Y Handwheel	Grey Iron, ASTM126, Class "B"
F203	Anti Friction Washer	Copper Alloy
F204	Yoke	Ductile Iron, ASTM A536
F205	Lower Stem Nut	Copper Alloy
F206	Gland Follower/Yoke Nut	Zinc Plate, 304 Stainless steel
F207	Gland Follower/Yoke Washer	Zinc Plate, 304 Stainless steel
F208	Gland Follower	Ductile Iron, ASTM A536
F209	Gland	Nylon
F210	Stud Bolt	Zinc Plate, 304 Stainless steel
F211	Stem Seal O-rings	(SBR) Styrene Butadiene Rubber
F212	Inner Bushing O-ring	(NBR) Acrylonitrile Butadiene Rubber
F213	OS&Y Bushing	Nylon
F214	Outer Bushing O-ring	(NBR) Acrylonitrile Butadiene Rubber
F215	OS&Y Stem Assembly Copper Alloy Stem Stainless Steel Stem Wedge Pin Wedge	14"-16" Copper Alloy ( refer to appropriate datasheet, Series & Size for specific materials ) Stainless steel, ( refer to appropriate datasheet, Series & Size for specific materials ) 316, Stainless Steel (SBR) Styrene Butadiene Rubber, (EPDM) Ethylene-Propylene-Diene Rubber, Encapsulated Ductile Iron core
F216	Bonnet Bolts	Stainless steel ( refer to appropriate datasheet, Series & Size for specific materials )
F217	Bonnet (Grey Iron) Bonnet (Ductile Iron)	Grey Iron, ASTM A126,"B" Ductile Iron, ASTM A536
F218	Bonnet Gasket	(NBR) Acrylonitrile Butadiene Rubber
F219	Body (Grey Iron) Body (Ductile Iron)	Grey Iron, ASTM A126,"B" Ductile Iron, ASTM A536
F220	Wrench Nut/Handwheel Bolt	Stainless steel
F221	Wrench Nut/Handwheel Washer	Stainless steel
F222	NRS Handwheel	Grey Iron, ASTM A126,"B"
F223	Post Indicator Bolts	Zinc Plate, 304, 316 Stainless steel
F224	Post Indicator	Grey Iron, ASTM A126,"B"
F225	Wrench Nut	Grey Iron, ASTM A126,"B"
F226	Wiper Ring	(NBR) Acrylonitrile Butadiene Rubber
F227	Gland Flange Bolt	Stainless steel ( refer to appropriate datasheet, Series & Size for specific materials )
F228	Gland Flange	Ductile Iron, ASTM A536
F229	Gland O-ring	(NBR) Acrylonitrile Butadiene Rubber
F230	Upper Stem Seal O-rings	(NBR) Acrylonitrile Butadiene Rubber
F231	Stem Seal Bushing	Nylon
F232	Lower Stem Seal O-ring	(NBR) Acrylonitrile Butadiene Rubber
F233	Stainless NRS Stem	Stainless steel ( refer to appropriate datasheet, Series & Size for specific materials )
F234	Thrust Collar	Copper Alloy
F235	NRS Anti-Friction Washer	Nylon
F236	Low Zinc NRS Stem	Copper Alloy ( refer to appropriate datasheet, Series & Size for specific materials )
F237	NRS Wedge	(SBR) Styrene Butadiene Rubber, (EPDM) Ethylene-Propylene-Diene Rubber, Encapsulated Ductile Iron core
F238*	Outer O-rings (Series 03)	304 Stainless steel
F239*	Inner O-rings (Series 03)	Polyurethane
F240*	Slide Bearing (Series 03)	304 Stainless steel
F241*	Stem Collar (Series 03)	Mild Steel, 304 Stainless steel
F242*	Stem Seal (Series 03)	304 Stainless steel
F244**	Lifting Eye	304 Stainless steel
F245	Actuator Adapter Plate Bolt	304 Stainless steel
F246	Actuator Adapter Plate (NRS)	Ductile Iron, ASTM A536
F247	Stem Key	Mild Steel
F248	Actuator Stem	Stainless steel ( refer to appropriate datasheet, Series & Size for specific materials )
F249	Actuator Yoke (OS&Y)	Ductile Iron, ASTM A536
F250***	Spool Piece	Ductile Iron, ASTM A536
F251***	Elbow	Ductile Iron, ASTM A536
F252***	Wedge Shoe (Series 55)	Nylon
F253 ††	Retaining Ring (Series 66)	Mild Steel
F254 ††	Shrink Tubing (Series 66)	

\* Series 03 Valves only

\*\* 14"-24" Valves only

\*\*\* Series 55 Valves only

†† Series 66 Valves only



## **AMERICAN AVK COMPANY TEN (10) YEAR WARRANTY RESILIENT WEDGE GATE VALVES**

American AVK Company warrants its Series 03, Series 18, Series 25, Series 45, Series 55, and Series 66 Resilient Wedge Gate Valves to be free from defects in workmanship and materials for a period of ten (10) years from the date of shipment from American AVK Company. American AVK Company shall have no obligation under this warranty unless it is notified of claims hereunder promptly and in writing upon discovery thereof and within the warranty period, and unless the product is delivered to the American AVK Company facility within thirty (30) days of such notice.

American AVK shall have the right to inspect said product before it is removed from installation. If the product is removed from installation prior to approval from American AVK this warranty shall be void.

As to motors, gearing or accessory equipment purchased by American AVK Company from others manufacturers, and used or incorporated into American AVK Company's products, those manufacturers' warranties shall apply.

American AVK Company will honor all reasonable costs to repair or replace any American AVK Company Resilient Wedge Gate Valve found to be defective.

American AVK Company's sole responsibility shall be, in its sole discretion, to replace the product with the same or a similar product, repair the product, or refund the price paid for the product provided the product has been properly applied and used under normal service and under conditions for which it is designed. American AVK Company shall not be liable for indirect, special, incidental, or consequential damage or penalties and does not assume any liability of purchase to others or to anyone for injury to persons or property.

**THIS IS THE EXCLUSIVE WARRANTY GIVEN IN CONNECTION WITH THE SALE OF THIS PRODUCT. THERE ARE NO OTHER WARRANTIES, EXPRESSED OR IMPLIED, INCLUDING EXPRESSED OR IMPLIED WARRANTY OF MERCHANTABILITY, OR ANY EXPRESSED OR IMPLIED WARRANTY OF SUITABILITY FOR ANY PARTICULAR PURPOSE, GIVEN BY AMERICAN AVK COMPANY IN CONNECTION WITH THIS PRODUCT.**

---

### **American AVK Company**

2155 Meridian Blvd  
Minden, NV 89423

15

Expect...   
15

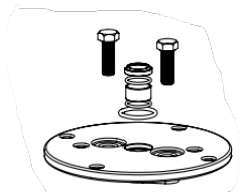
JABO SUPPLY SINCE 1964 SERVICE IS MORE THAN A PROMISE (304) 736-8333

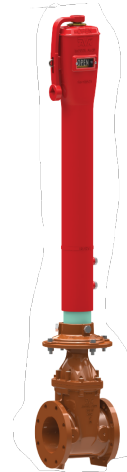
# POST INDICATORS



**POST INDICATORS & PLATE**

**POST INDICATOR PLATE**

FITS 18/45/55/65/85	
SIZES 2.5-24"	
	
JABO PART#	SIZE
135-20145	4"
135-20150	6"
135-20155	8"-16"



**TELESCOPIC POST INDICATOR**

JABO PART#	RANGE
135-20200	20"-43"
135-20205	42"-65"
135-20210	64"-87"
*	86"-109"
*	104"-127"
*	126"-149"

**\* NON STOCK CALL JABO SUPPLY**

**\*\*VALVE NOT INCLUDED**

# HYDRANTS



**AMERICAN AVR HIGH PRESSURE, 250 PSI, NOSTALGIC, DRANTS**  
**DUAL 2 1/2" HOSE OUTLET, DRY BARREL HYDRANT**

www.jabosupply.com  
**27N-NHH NOSTALGIC DUAL HOSE OUTLET**

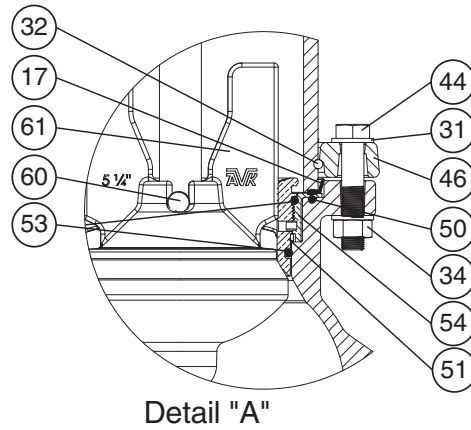
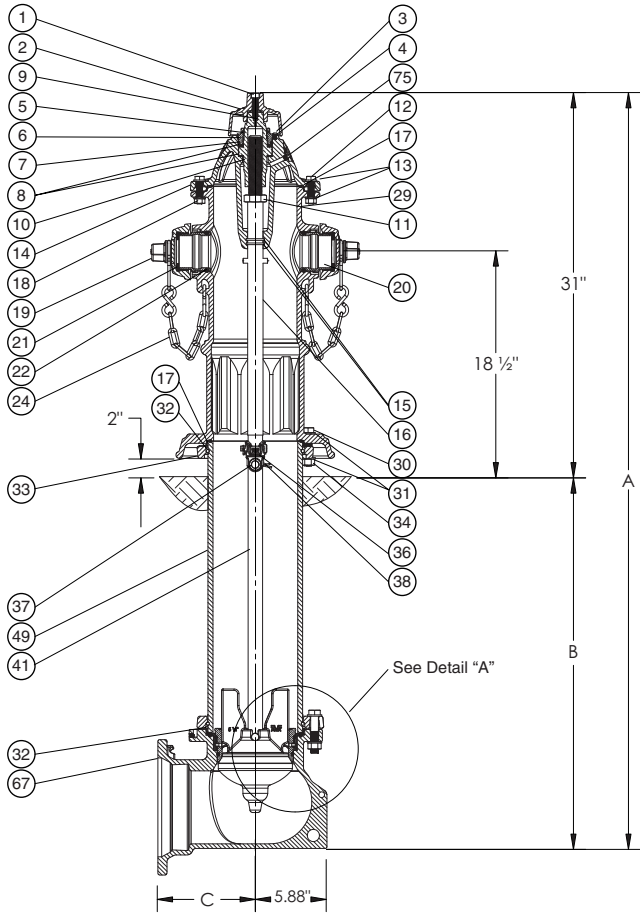
Meets or exceeds AWWA C502 (latest) - Working Pressure - 250 PSI

Inlet Bases: Flanged in accordance with ANSI B16.1 Class 125,

Mechanical and Push-On Joint in accordance with ANSI/AWWA C111/A21.11

**Component List:**

- |                            |                            |                                  |                               |
|----------------------------|----------------------------|----------------------------------|-------------------------------|
| 1. Weathershield Bolt      | 15. Stem Seal O-rings      | 33. Breakable Flange             | 55. Brass Plug -Not shown     |
| 2. Weathershield           | 16. Upper Stem Rod         | 34. Nozzle Section Nut           | 56. Brass Fitting -Not shown  |
| 3. Lock Plate Screw        | 17. Barrel Gasket          | 36. Coupler Pin                  | 60. Main Valve Retaining Pin  |
| 4. Lock Plate              | 18. Bonnet Nut             | 37. Breakable Stem Rod           | -Detail A                     |
| 5. Inner Thrust Nut O-ring | 19. Hose Nozzle Cap        | Coupling                         | 61. Main Valve Disc -Detail A |
| 6. Thrust Nut              | 20. Hose Nozzle            | 38. Spring Pin                   | 62. Base Gasket -Detail A     |
| 7. Outer Thrust Nut O-ring | 21. Hose Nozzle Cap Gasket | 41. Lower Stem Rod               | 64. Stud Bolt -Detail A       |
| 8. Anti-Friction Washer    | 22. Hose Nozzle O-ring     | 44. Extension Boly -Detail A     | 67. Base                      |
| 9. Lubrication Hole Seal   | 23. Nozzle Retaining Screw | 46. Standpipe Flange -Detail A   | 75. Zerk Fitting              |
| 10. Operating Nut          | 24. Chain Set              | 49. Lower Barrel                 |                               |
| 11. Stop Nut               | 29. Nozzle Section         | 50. Lower Barrel O-ring Detail A |                               |
| 12. Bonnet Bolt            | 30. Nozzle Section Bolt    | 51. Valve Seat Rng -Detail A     |                               |
| 13. Bonnet Washer          | 31. Nozzle Section Washer  | 53. Valve Seat O-ring -Detail A  |                               |
| 14. Bonnet                 | 32. Lock Ring              | 54. Drain Ring -Detail A         |                               |



Ref No.	Base Sizes	Outlets	A	B*	C				
					Flanged	MJ	Push-on	PE	HYMAX GRIP®
27N-NHH-4	- 4"	2x2 1/2"	49" - 247"	18" - 216"	8.00"	8.00"	N/A	23.70"	N/A
27N-NHH-6	- 6"	2x2 1/2"	49" - 247"	18" - 216"	8.00"	8.00"	9.00"	22.80"	11.60"
27N-NHH-8	- 8"	2x2 1/2"	49" - 247"	18" - 216"	N/A	9.38"	N/A	N/A	N/A

\* Buries greater than 216" available upon request.



DS S27N/NHH NOSTALGIC DUAL HOSE OUTLET  
 Subject to change without notice (rev. 09/20)

## AWWA C502, DRY BARREL

# HYDRANT – OPTIONS

**AWWA C502 DRY BARREL HYDRANT OPTIONS**

## • Style

- 27M – Modern (2700)
- 27N – Nostalgic (2780)

## • Pumper/Outlet Options

- NHH– No Pumper (N), 2 Hose (H)
- PHH– 1 Pumper (P), 2 Hose (H)
- PNN– 1 Pumper (P), No Hose (N)
- PPN– 2 Pumper (P), No Hose (N)

## • Pumper Nozzle

- Size 3.5" 4" 4.5" 5"
- Thread Type \_\_\_\_\_

## • Hose Nozzle

- Thread type \_\_\_\_\_

## • Chains

- With Chains
- Without Chains

## • Operating Nut

- Size \_\_\_\_\_
- Shape Hexagon Pentagon Square Triangle

## • Upper Barrel – 27M Modern only

- Standard 12"
- 16" - ( Overall height )
- 18" ( 6" - Extended )
- 22" - ( Overall height )
- 30" (Alpine)
- Monitor Elbow – 3" flange  4" flange

## • Lower Barrel

- Bitumen
- Non-bitumen
- PUR – ( PUR coating below ground )

## • Bolting Above Ground

- Zinc Plated Steel ( Standard )
- 304 Stainless Steel
- 316 Stainless

## • Bolting Below Ground

- 304 Stainless Steel ( Standard )
- 316 Stainless Steel
- Zinc Plated Steel

## • Opening Direction

- Open Left
- Open Right

## • Main Valve

- Hydro Flow - Standard

## • Drain Facility

- Plugged seat ring
- Plugged main valve flange – Base
- Drains unplugged

## • Upper Stem

- 304 Stainless ( Standard )
- 316 Stainless
- C63000 Bronze
- Steel with brass sleeve

## • Lower Stem

- Standard steel ( Standard )
- 304 Stainless
- 316 Stainless
- C63000 Bronze

## • Stem Coupler

- Standard
- Charleston Type
- Vancouver Type

## • Lubrication

- Grease Filled
- Oil Filled

## • PE Inlet Configuration

- Size 4"  6"
- PE Type, IPS  DIPS
- PE Wall Thickness DR 9  DR11  DR13.5

## • Other Inlet Configurations

- Size 4"  6"  8"
- Type FL  MJ  PO  Straight

## • Bury Depth, Lower Barrel – Hydrant no.

- Depth in feet \_\_\_\_\_

## • Lower Barrel Extension

- Length in 6" increments \_\_\_\_\_

# AWWA C502, DRY BARREL

# HYDRANT – OPTIONS (cont.)

## AWWA C502 DRY BARREL HYDRANT OPTIONS (CONT.)

- Lower Barrel Extension Canadian ( Halton ) Type
  - Length in 6" increments \_\_\_\_\_
- Bearings
  - Delrin ( Standard )
  - Roller ( Torrington type )
- Color
  - Body \_\_\_\_\_
  - Hose Cap \_\_\_\_\_
  - Pumper Cap \_\_\_\_\_
  - Bonnet \_\_\_\_\_
  - Weathershield \_\_\_\_\_
  - \*Special Color \_\_\_\_\_

\*Special Colors may require price adders.  
Please contact your territory representative.\*
- FlowGuard I™ ( Optional )
  - 316 Bolting
  - PUR Coating
- Security
  - None ( Standard )
  - Tamper Proof Weathershield
  - Tamper Proof Thrust Nut
- Stem Nut / Weathershield
  - Size 1.5" Pent.  1" Square
  - Weathershield type \_\_\_\_\_
- Special Options – All special options must be approved by AVK
- \_\_\_\_\_

## AWWA C502 DRY BARREL HYDRANT OPTIONS

Customer: \_\_\_\_\_ Municipality: \_\_\_\_\_

Engineer: \_\_\_\_\_ Requested By: \_\_\_\_\_

Date: \_\_\_\_\_

Approval Name: \_\_\_\_\_

Signature: \_\_\_\_\_

Title: \_\_\_\_\_

## AWWA C502 DRY BARREL HYDRANT ACRONYMS :

- |  |                                       |
|--|---------------------------------------|
| <b>AWWA - American Water Works Association</b> | <b>MJ - Mechanical Joint</b>          |
| <b>DIPS - Ductile Iron Pipe Size</b>           | <b>PE - Polyethylene</b>              |
| <b>EPDM - Ethylene Propylene Diene Monomer</b> | <b>PO - Push - On</b>                 |
| <b>FL - Flange</b>                             | <b>PUR - Polyurethane</b>             |
| <b>FM - Factory Mutual</b>                     | <b>SDR - Standard Dimension Ratio</b> |
| <b>GR - Grooved</b>                            | <b>SS - Stainless Steel</b>           |
| <b>HDPE - High Density Polyethylene</b>        | <b>UL - Underwriters Laboratories</b> |
| <b>IPS - Iron Pipe Size</b>                    |                                       |


AWWA C502, DRY BARREL HYDRANTS

**HYDRANTS**

NON AIS

**6" MJ SHOES**


**DRY BARREL HYDRANT**

STD 6" X MJ SHOE		
NON AIS		
		
JABO PART#	BURY	MFG #
135-29995	3'	27N/PHH-04
135-30000	3-1/2'	27N/PHH-05
135-30004	4'	27N/PHH-06
135-30006	4-1/2'	27N/PHH-07

Style	27N-NOSTALIGIC
Pumper Outlet Options	PPH-1Pumper (P), 2 Hose (H)
STORZ Connection	NO
Drain Facility	Drains Unplugged
Opening Direction	Opens Left
Lubrication	Grease Filled
Size Inlet	6"
Type of Inlet	MJ
Bury Depth (Total Depth)	See Bury Depth
Pumper Nozzle Size	4.5"
Pumper Nozzle Threads	NST
Hose Nozzle Size	2.5"
Hose Nozzle Threads	NST
Operating Nut Size	1.5"
Operating Nut Shape	Pentagon
Chains	Yes
Color	Red

**6" MJ SHOE WITH STORZ CONNECTION**

**DRY BARREL HYDRANT**

5" MJ SHOE		
NON AIS		
		
JABO PART#	BURY	MFG #
*	3'	
*	3-1/2'	
135-30008	4'	27UPO2906-0CM0B-1
*	4-1/2'	


Style	27N-NOSTALIGIC
Pumper Outlet Options	PPH-1Pumper (P), 2 Hose (H)
STORZ CONNECTION	YES 5"
Drain Facility	Drains Unplugged
Opening Direction	Opens Left
Lubrication	Grease Filled
Size Inlet	6"
Type of Inlet	MJ
Bury Depth (Total Depth)	See Bury Depth
Pumper Nozzle Size	4.5"
Pumper Nozzle Threads	NST
Hose Nozzle Size	2.5"
Hose Nozzle Threads	NST
Operating Nut Size	1.5"
Operating Nut Shape	Pentagon
Chains	Yes
Color	Red

**HYDRANTS**

NON AIS

**6" HYMAX SHOE**

**DRY BARREL HYDRANT**

6" HYMAX SHOE		
NON AIS		
		
JABO PART#	BURY	MFG #
*	3'	
135-30015	3-1/2'	27N-PHH-05-6HYMAX
135-30020	4'	27N-PHH-06-6HYMAX
*	4-1/2'	

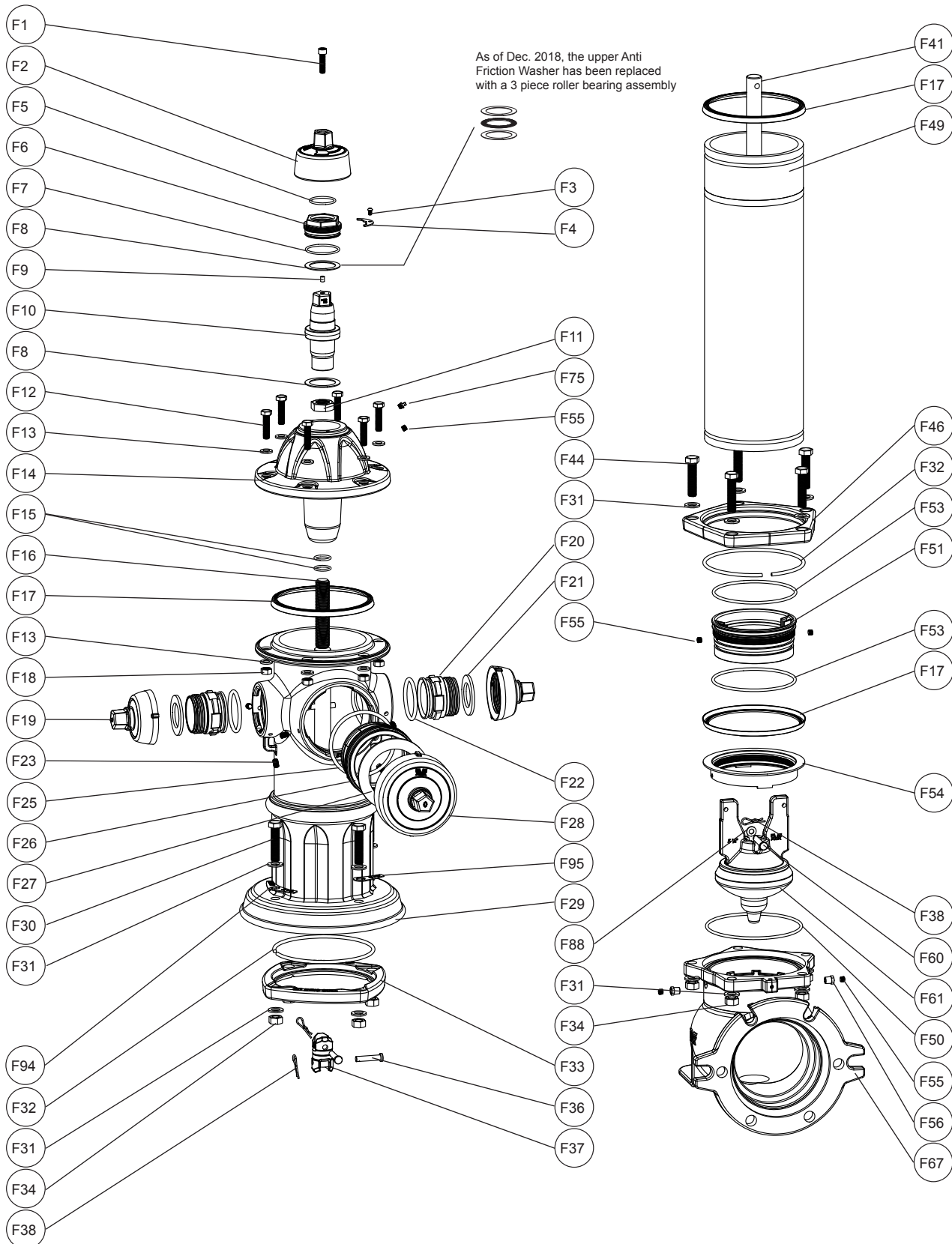
Style	27N-NOSTALGIC
Pumper Outlet Options	PPH-1Pumper (P), 2 Hose (H)
STORZ	NO
Drain Facility	Drains Unplugged
Opening Direction	Opens Left
Lubrication	Grease Filled
Size Inlet	6"
Type of Inlet	HYMAX
Bury Depth (Total Depth)	See Bury Depth
Pumper Nozzle Size	4.5"
Pumper Nozzle Threads	NST
Hose Nozzle Size	2.5"
Hose Nozzle Threads	NST
Operating Nut Size	1.5"
Operating Nut Shape	Pentagon
Chains	Yes
Color	Red

**HYDRANTS**

AIS

AVK HYDRANTS are compliant with AIS (American Iron and Steel) & BABA (Build America Buy America) . However, these hydrants must be identified at the time of order to receive the necessary paper work. These valves are specific to each job. .

### American AVK Series 2780 Nostalgic Hydrant Exploded Parts Breakdown



Item No.	Description	Material
F1	Weathershield Bolt	304 Stainless steel
F2	Weathershield	Grey Iron, ASTM126, Class "B"
F3	Lockplate Bolt	304 Stainless steel
F4	Lock Plate	304 Stainless steel
F5	Inner Thrust Nut O-ring	NBR
F6	Thrust Nut	Copper Alloy
F7	Outer Thrust Nut O-ring	NBR
F8	Anti Friction Washer	Nylon
F9	Lubrication Hole Seal	NBR
F10	Operating Nut	Copper Alloy
F11	Stop Nut	Zinc plated steel
F12	Bonnet Bolt	Zinc plate, 304, 316 Stainless steel
F13	Bonnet Washer	Zinc plate, 304, 316 Stainless steel
F14	Bonnet	Ductile Iron, ASTM A536
F15	Stem Seal O-rings	NBR
F16	Upper Stem Rod	304 Stainless steel, Epoxy coated steel
F17	Barrel Gasket	NBR with stainless steel insert
F18	Bonnet Nut	Zinc plate, 304, 316 Stainless steel
F19	Hose Nozzle Cap	Grey Iron, ASTM126, Class "B"
F20	Hose Nozzle	Copper Alloy
F21	Hose Nozzle Cap Gasket	NBR
F22	Hose Nozzle O-ring	NBR
F23**	Set Screw - (Nozzle)	304 Stainless steel
F24*	Chain Assembly	Zinc Plated Steel
F25	Pumper Nozzle O-ring	NBR
F26	Pumper Nozzle	Copper Alloy
F27	Pumper Cap Gasket	NBR
F28	Pumper Cap	Grey Iron, ASTM126, Class "B"
F29	Nozzle Section	Ductile Iron, ASTM A536
F30	Nozzle Section Bolt	Zinc plate, 304, 316 Stainless steel
F31	Nozzle Section Washer	304 Stainless steel
F32	Lock Ring	304 Stainless steel
F33	Breakable Flange	Ductile Iron, ASTM A536
F34	Nozzle Section Nut	304 Stainless steel
F35*	Upper Barrel	Ductile Iron, ASTM A536
F36	Coupler Pin	420 Stainless steel
F37	Breakable Stem Rod Coupling	431 Stainless steel
F38	Spring Pin	304 Stainless steel
F41	Lower Stem Rod	Mild Steel, 304 Stainless steel
F42*	Extension Coupling	304 Stainless steel
F43*	Extension Barrel	Ductile Iron, ASTM A536
F44	Upper.Extension Barrel Bolt	Zinc plate, 304, 316 Stainless steel
F45	N/A	
F46	Standpipe Flange	Ductile Iron, ASTM A536
F47*	Monitor Elbow	Ductile Iron, ASTM A536
F48*	Extension Stem Rod	Mild Steel, 304 Stainless steel
F49	Lower Barrel	Ductile Iron, ASTM A536
F50	Lower Barrel O-ring	NBR
F51	Valve Seat Ring	Copper Alloy
F52	N/A	
F53	Valve Seat O-ring	NBR
F54	Drain Ring	Copper Alloy
F55	Brass Plug	Copper Alloy
F56	Brass Fitting	Copper Alloy
F58	N/A	
F60	Main Valve Retaining Pin	420 Stainless steel
F61	Main Valve	EPDM, Encapsulated Ductile Iron
F62	Base Gasket	NBR
F63*	Straight Inlet	Ductile Iron, ASTM A536
F65	N/A	
F66	N/A	
F67	Base	Ductile Iron, ASTM A536
F68	N/A	
F69***	Thrust Bearing Race	Hardened Steel
F70***	Thrust Bearing	Hardened Steel
F71*	Modern Nozzle Section Bolt	Zinc plate, 304, 316 Stainless steel
F72*	Base Gasket - Specify type	NBR
F73*	Storz Cap O-ring	EPDM
F74*	Cap/Cable Assembly	
F75	Zerk Fitting	Case Hardened Steel, Zinc Plated
F88	Main Valve Retaining Pin Washer	304 Stainless steel
F90*	Hose Nozzle Position Clip	300 Series Stainless
F91*	Pumper Nozzle Position Clip	300 Series Stainless
F92*	Inner Storz Cap O-ring	NBR
F93*	Storz Adaptor	Copper Alloy
F94	Bury Tag	Aluminum
F95	Extension Bury Tag	Aluminum

\* Not Shown in Exploded Parts Breakdown

\*\* As of July 2015, secondary Set Screws were added to all dry barrel nozzle outlets

\*\*\* As of Dec. 2018, the upper Anti Friction Washer has been replaced with a 3 piece roller bearing assembly comprised of 2,

F69 Thrust Bearing Races and 1, F70 Thrust Bearing.

# ACCESSORIES



**HYDRANT ACCESSORIES**


**AVK SEAT WRENCH**

SERIES 27 FOR DRY BARRELL HYDRANTS	
	
JABO PART#	SIZE
135-30110	NA

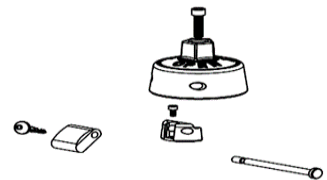
**HYDRANT EXTENSIONS**

SERIES 27 HYDRANT EXTENSION	
	
JABO PART#	SIZE
135-30117	6"
135-30120	12"
135-30124	18"
135-30130	24"

**HYDRANT REPAIR KIT**

SERIES 27 HYDRANT REPAIR KIT	
	
JABO PART#	SIZE
135-30150	KIT
COMPLETE KIT	

**TAMPER GUARD**

SERIES 27 TAMPER GUARD	
	
JABO PART#	SIZE
*	W/O LOCK
135-30200	W/LOCK
ADDITIONAL SIZES AVAIL UPON REQUEST	

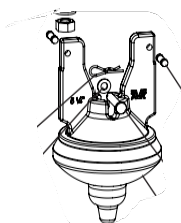
**HYDRANT WRECH**

ADJUSTABLE	
	
JABO PART#	SIZE
980-00800	15"

**HYDRANT GREASE**

HYDRANT GREASE CARTRIDGE	
NO PICTURE AVAILABLE	
JABO PART#	SIZE
135-30300	CARTRIDGE

**MAIN VALVE**

AVK MAIN VALVE KIT	
	
JABO PART#	SIZE
135-30400	KIT

**HYDRANT ACCESSORIES**

**STORZ CAP**

**SPANNER WRENCH**

**T-HANDLE WRENCH**

**STEM EXTENSION**

CAP STORZ ADAPTERS	
	
JABO PART#	SIZE
135-31000	5" x 4.5" NH

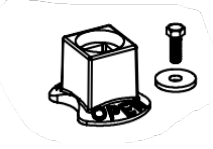
SPANNER WRENCH	
NO PICTURE AVAILABLE	
JABO PART#	SIZE
135-31010	

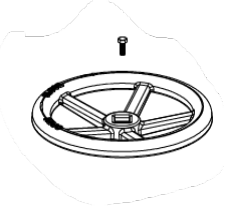
T-HANDLE WRENCH	
	
JABO PART#	SIZE
980-01600	6' X 2" NUT DRIVER

STEM EXTENSION	
	
JABO PART#	SIZE
980-01700	EXTENSION TOP NUT
980-01705	BOTTOM COUPLING
Jabo Supply can fabricate Stem Extension to meet your desired length	

**SQUARE NUTS**

**HANDWHEEL**

SERIES 04 WRENCH NUT DUCTILE IRON	
	
JABO PART#	SIZE
135-20120	2-1/2"-4"
135-20125	6"
135-20130	8"-12"

FOR AVK SERIES 45, 55, 65, & 66 WITH BOLT AND WASHER	
	
JABO PART#	SIZE
135-20135	4"
135-20137	6"
135-20139	8"
135-20141	10"-12"





# POST FLUSHING HYDRANTS



**POST FLUSHING HYDRANTS**

"BLOW OFF HYDRANTS"

<b>ELCLIPSE #2</b>			
JABO PART#	BURY	INLET SIZE	INLET TYPE
135-30080	3'	2"	FIPT
135-30085	3'	2"	MJ

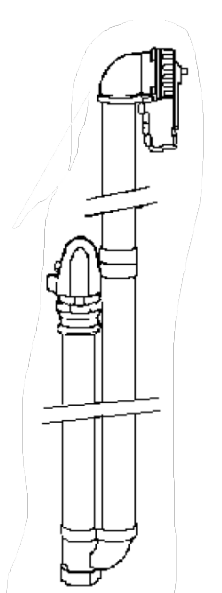



**STANDARD FEATURES**


- 3" Bury or Less
  - Any size up to 2-1/2" NST
  - 2-3/16" Valve Opening
  - Fusion-bonded epoxy steel standng pipe
  - Self Draining , non-freezing
  - 1-1/2" Pentagon operating nut
  - Choice of mutiple inlet type
  - Standard Color - Red
- ADDS**
- Depths of bury over 3' per 6"
  - 2" FIP Inlet
  - 2" MJ inlet w/accessories
  - 2-1/2" FIP inlet
  - 3" FIP inlet
  - 3" MJ inlet (no accessories)
  - Two nozzles of any size (2-1/2" NST max)
  - 10" hand wheel for 1-1/2" pentagon (part #667)
  - Solid operating rod

<b>MAINGUARD #77</b>				
JABO PART#	BURY	INLET SIZE	INLET	INLET TYPE
*	3'	2"	Vertical	FIPT

**STANDARD #77 LISTED ABOVE (SEE ADDS IF OTHER OPTIONS ARE NEEDED)**



# 77  
**MAINGUARD™**



**STANDARD FEATURES**

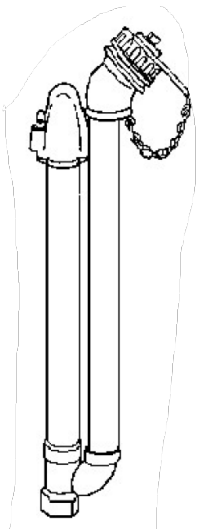

- 3' Bury or less
- 2" FIP vertical (Straight \_ Inlet
- 2-1/2" NST Outlet (or any smaller size)
- Self draining, non-freezing
- Traffic Break Away
- Locking security cover
- Slotted corp style operating nut
- All brass principal working parts

**ADDS**

- Depths of bury over 3' per 6"
- 90 degree horizontal (side) inlet
- 2" MJ inlet iron w/ epoxy coat
- 2" MJ inlet all brass adapter

**POST FLUSHING HYDRANTS**

"BLOW OFF HYDRANTS"


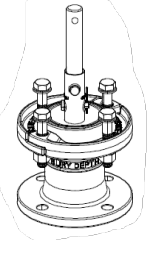

 <p># 78 <b>MAINGUARD™</b></p>	<b>MAINGUARD #78</b>				
	JABO PART#	BURY	INLET SIZE	INLET	INLET TYPE
	*	3'	2"	Vertical	FIPT
	<b>STANDARD #77 LISTED ABOVE (SEE ADDS IF OTHER OPTIONS ARE NEEDED)</b>				
					

**STANDARD FEATURES**

- 3' Bury or less
- 2" FIP vertical (Straight \_ Inlet
- 2-1/2" NST Outlet (or any smaller size)
- Self draining, non-freezing
- Fits inside meter box (*not included*)
- Locking security cover
- Slotted corp style operating nut

**ADDS**

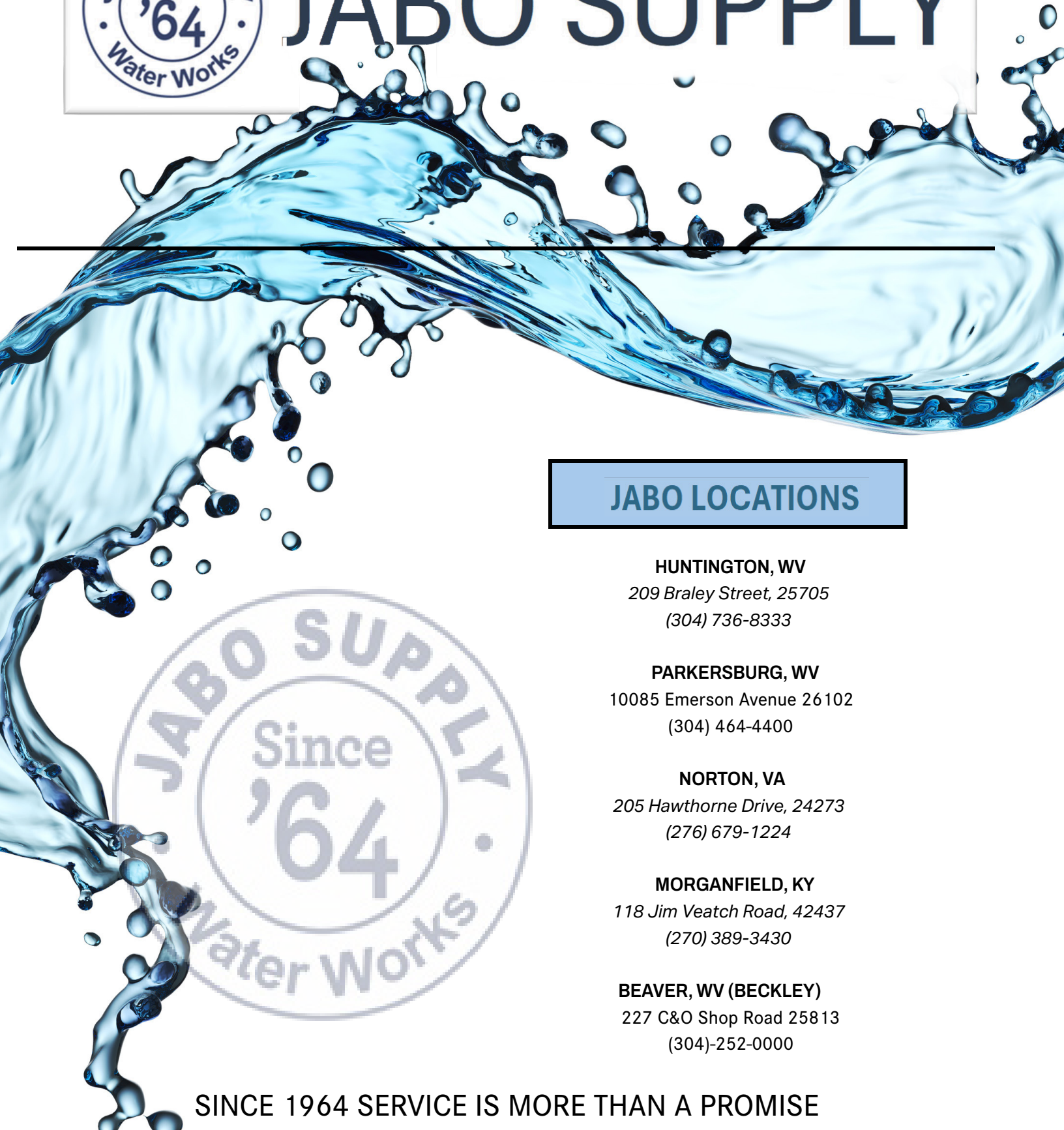
- Depths of bury over 3', per 6"
- 90 degree horizontal (side) inlet
- 2" MJ inlet iron w/ epoxy coat
- 2" MJ inlet all brass adapter

	<b>AVK #67 FLUSH HYDRANT</b>			
	JABO PART#	BURY	INLET SIZE	INLET TYPE
	135-30100	3-1/2'	2"	MJ
	<b>SERIES 67 EXTENSION KIT</b>			
		AVAILABLE FROM 6"-5'		
				

- Tested to AWWA C502
- Self draining dry barrel hydrant to prevent freezing.
- Available in any depth of bury ( 6 inch increments ).
- 2 1/4" main valve opening.
- Low head loss design
- Rated to 250 PSI working pressure
- All internal parts are removable from the top for easy maintenance
- Can be open left or open right
- Optional hand wheel available.
- Optional stainless steel lower stem
- Certified to: ANSI/NSF 61, ANSI/NSF 372
- ... • 1 year warranty



# JABO SUPPLY



## JABO LOCATIONS

### **HUNTINGTON, WV**

209 Braley Street, 25705  
(304) 736-8333

### **PARKERSBURG, WV**

10085 Emerson Avenue 26102  
(304) 464-4400

### **NORTON, VA**

205 Hawthorne Drive, 24273  
(276) 679-1224

### **MORGANFIELD, KY**

118 Jim Veatch Road, 42437  
(270) 389-3430

### **BEAVER, WV (BECKLEY)**

227 C&O Shop Road 25813  
(304)-252-0000

**SINCE 1964 SERVICE IS MORE THAN A PROMISE**